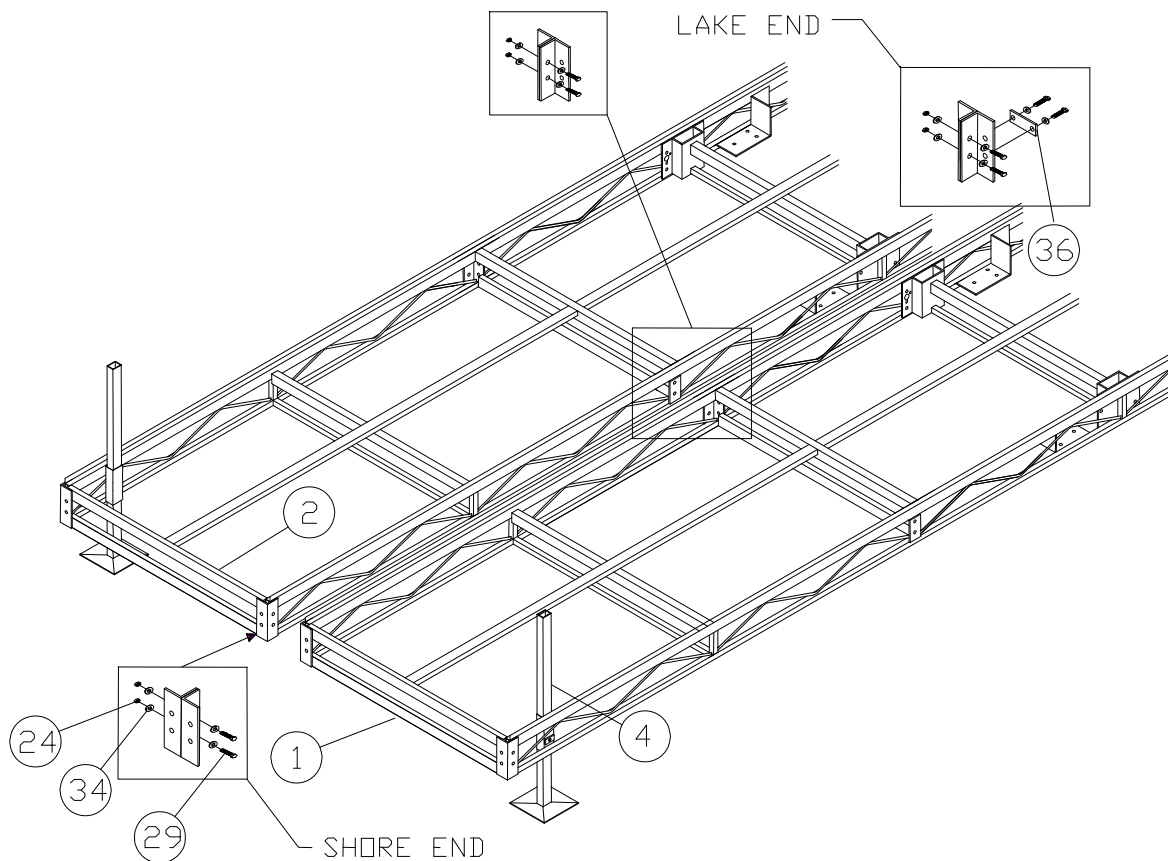
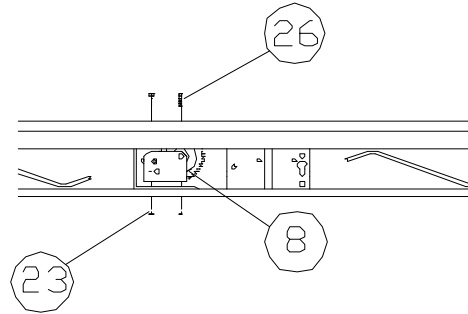


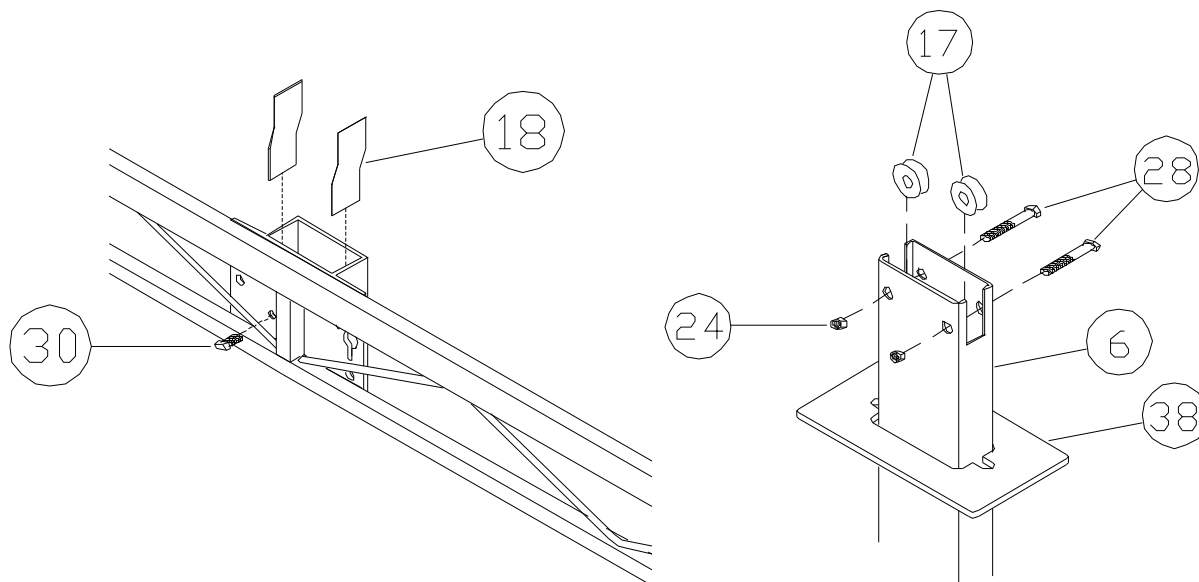
PORTA-DOCK, INC.**AP10 APD DS L8 X 16' SUNDECK * AW10 CPD DS L8 X 16' SUNDECK**
ALUMINUM PORTA-DOCK***For Beige Decking Add the Letter B to Model*****THANK YOU FOR PURCHASING OUR PRODUCT.*****Please read these instructions and follow them step by step.**

STEP 1. Take the two left and right 4' x 16' sections (**REF. # 1 & 2**) and stand them up on their sides with the pockets up. Slide the 6' support posts into the smaller pockets toward the end of the section. Secure with 1/2" x 1" set screws (**REF. # 30**) into the pockets. Lay the two sections along side each other with the corresponding pockets across from each other and to the outside of the deck. Fasten the face side of the outside and center angles using 1/2" x 1 1/4" bolts, washers and nuts (**REF. # 29, 34 & 24**). On the lake end of the deck, bolt a dock connector (**REF. # 36**) to the bottom holes of the two center angles using 1/2" x 1 1/4" bolts, washers and nuts.

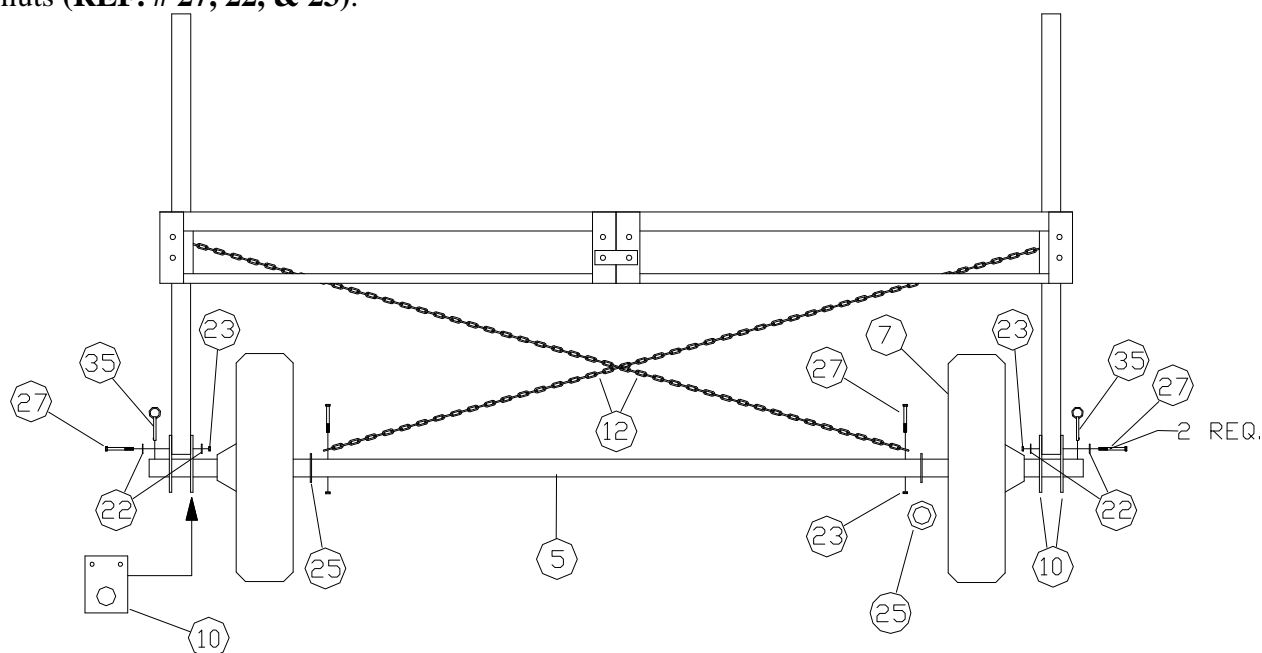


Raise the dock up approximately 30" and tighten set screws on the two posts. Support other end of dock in a safe and secure manner. Bolt winches (**REF. # 8**) to the winch plates (located to the side of the large center pockets) using 3/8 x 1" bolts & nuts.

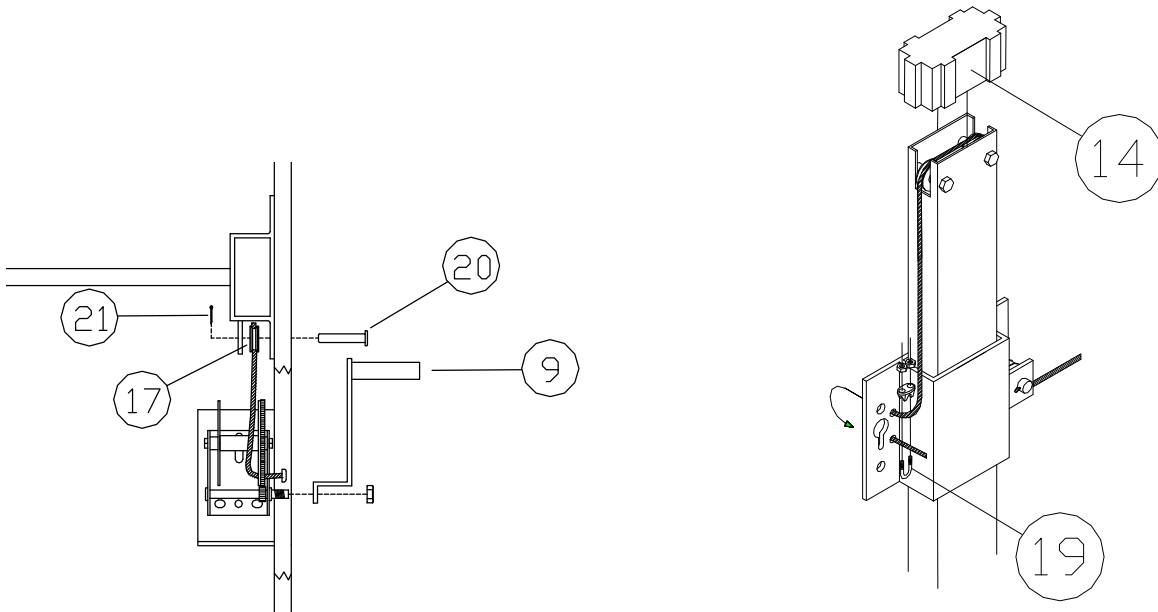
STEP 2. Apply the four nylon wear strips (**REF. # 18**) to the inside narrow ends of the large vertical lift member pockets. Pockets should be clean and dry and above 50 degrees. Slide a VLM cover plate (**REF. # 38**) onto each vertical lift member. Attach dock pulleys (**REF. # 17**) with $\frac{1}{2} \times 2 \frac{1}{2}$ " bolts and nuts (**REF. # 28 & 24**) to top of vertical lift members (**REF. # 10**). Insert vertical lift members into pockets on each side of dock. Put set screw into the face of the pockets. Leave set screws loose at this time.



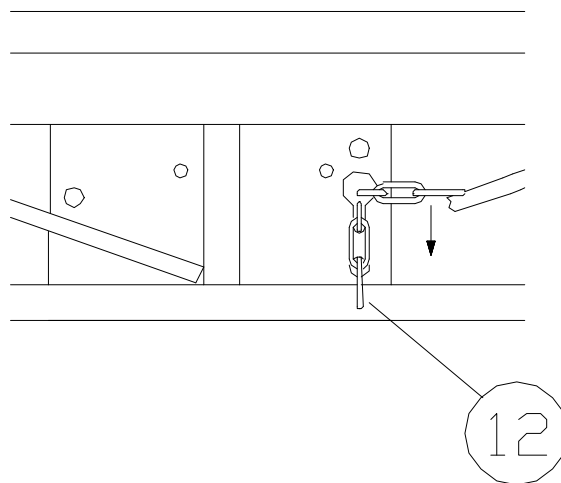
STEP 3. Attach the chains (**REF. # 12**) to the inside holes of the axle (**REF. # 5**) with a $\frac{3}{8} \times 3$ " bolt and nut. On the ends of the axle slide on the 3" washer (**REF. # 25**) then the dock wheels (**REF. # 7**) with the protruding hub to the outside onto the axle and slide up to the chains, and then slide on the two lift member brackets (**REF. # 10**). Place the $\frac{1}{4} \times 2 \frac{1}{2}$ " pin (**REF. # 35**) into the holes in the ends of the axle. Roll axle under dock, keeping axle centered with dock. Bolt lift member bracket (**REF. # 10**) to vertical lift members (**REF. # 6**) with $\frac{3}{8} \times 3$ " bolts, washers, and nuts (**REF. # 27, 22, & 23**).

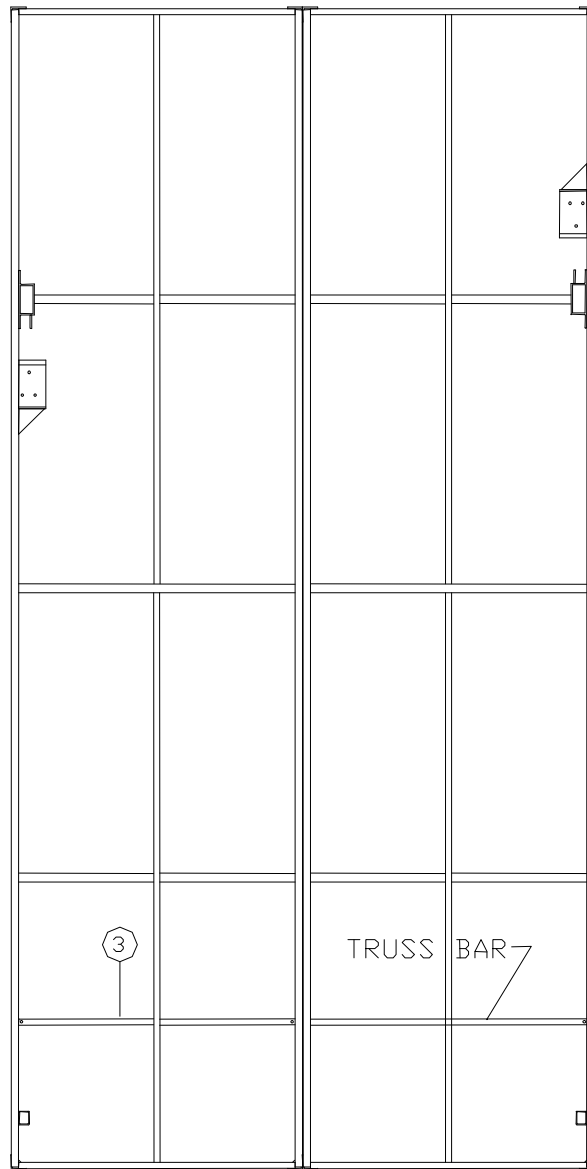


STEP 4. Bolt on winch handles (**REF. # 9**) with winch nut (**REF. # 37**). Attach lower dock pulleys (**REF. # 17**) to the winch side of the dock pockets with $\frac{1}{2}$ x $2 \frac{3}{4}$ " clevis pin (**REF. # 20**) between pocket and ear tab. Secure with cotter pin. (**REF. # 21**) Starting winch cable (**REF. # 11**) from the outside of the winch, pass cable through the hole on the side of the drum with the gears. Run the cable through lower pulley, then up to pulleys on vertical lift members, and down to the top $\frac{13}{32}$ " hole in the pocket and back through the bottom $\frac{13}{32}$ " hole. Fasten with $\frac{3}{16}$ " cable clamp (**REF. # 19**). Work winches until cables are raising dock. **You must** alternate winches as the dock moves up or down.

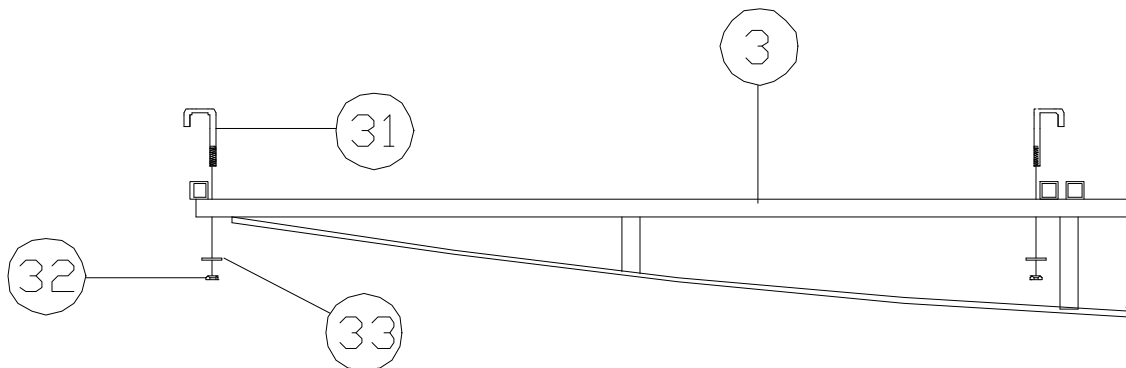


STEP 5. Bring top of chain (**REF. # 12**) up to the opposite side of dock, through the keyhole bracket located on the vertical lift member pocket and lock in position by sliding the chain link down the keyhole slot





STEP 6. Attach the truss bars (**REF. # 3**) by placing the truss bar underneath the docks frame so that it is about 24” from shore end of the dock. Fasten truss bar to the bottom one inch square tube of the docks frame with the three J-hooks, 5/16” washers, and locknuts (**REF. # 31, 33 & 32**).



NOTE: After the panels are installed on the dock, slide a cover plate (**Ref. # 39**) down each dock post and onto the deck. Place a rectangular cap (**Ref. #13**) onto each post.

STEP 7. Before moving your dock into the water, make sure that the chains are not wrapped around the axle, and then pull the slack out of the chains by hooking them into the keyhole bracket. Roll your dock into position, and loosen the set screws on the VLM pocket. Adjust the dock to the desired height making sure that there is enough slack in the chains to accommodate the height you will be adjusting to. Once the desired height is reached, pull both the chains tight and then lower one side of the dock so the next link can be hooked into the keyhole slot and raise the dock back up to complete the tightening of the chain. Repeat on the other side. When finished with this, there should be no visible slack left in the chains, and they should be tight enough that you can't move them. Tighten the set screws in the VLM pocket.

The cross chains are to help control the side-to-side stability of the end of the dock and need to be tight. Once set they only need to be adjusted if the height of the dock is changed. **WARNING: before raising the dock it is necessary to loosen both of the chains and the set screws, or serious damage to the dock may occur.** When tightening the set screws, they should be tightened until they are snug against inside leg, and then tightened 1 1/2 to 2 turns more. Check the set screws after a couple of uses and retighten if necessary.

When moving dock into and from lake, lower dock to lowest level possible.

CEDAR PANELS

<u>PART #</u>	<u>DESCRIPTION</u>	<u>QUANTITY</u>
B34	CEDAR PANEL 4' X 4' ADD ON RIGHT CUTOUT	1
B37	CEDAR PANEL 4' X 4' ADD ON LEFT CUTOUT	1
B53	CEDAR PANEL 4' X 4' STRAIGHT	2
BB61	CEDAR PANEL 4' X 4' L8 LEFT CUTOUT	2
BB62	CEDAR PANEL 4' X 4' L8 RIGHT CUTOUT	2

ALUMINUM PANELS

B12(B)	ALUM PANEL 4' X 4' ADD ON LEFT CUTOUT	1
B14(B)	ALUM PANEL 4' X 4' ADD ON RIGHT CUTOUT	1
B86(B)	ALUM PANEL 4' X 4' STRAIGHT	2
B89(B)	ALUM PANEL 4' X 4' L8 LEFT CUTOUT	2
B90(B)	ALUM PANEL 4' X 4' L8 RIGHT CUTOUT	2

AP10 APD DS L8 X 16' ALUMINUM PANEL SUNDECK
AW10 CPD DS L8 X 16' CEDAR PANEL SUNDECK

REF. #	PART NO.	DESCRIPTION	APD	CPD
1	M74	DS RIGHT FRAME	1	1
2	M73	DS LEFT FRAME	1	1
3	F62	TRUSS BAR	1	1
4	C27	6' SUPPORT POSTS	4	4
5	30081	L8 AXLE	1	1
6	30084	AL VERTICAL LIFT MEMBER	2	2
7	4002	TIRES	2	2
8	3005	WINCH DL 1100	2	2
9	3008	WINCH HANDLE	2	2
10	30088	VERTICAL LIFT MEMBER BRKT	4	4
11	3050	CABLE 3/16" X 15'	2	2
12	3072	CHAIN 3/16" X 9'	2	2
13	3803	CAP POST	2	2
14	3804	CAP VERTICAL LIFT MEMBER	2	2
15	4108	FOAM TAPE	7	-
16	4521	PLASTIC EDGING	-	-
17	3300	PULLEY SHEAVE 1 1/2"	6	6
18	4112	8 1/2" WEAR PAD	4	4
19	5003	CABLE CLAMP 3/16"	2	2
20	5008	CLEVIS PIN 1/2 X 2 3/4"	2	2
21	5025	COTTER PIN	2	2
22	5070	3/8" WASHER	8	8
23	5056	NUT 3/8"	12	12
24	5058	NUT 1/2"	16	16
25	5077	WASHER 3"	2	2
26	5081	BOLT 3/8 X 1"	6	6
27	5084	BOLT 3/8 X 3"	6	6
28	5120	BOLT 1/2 X 2 1/2"	4	4
29	5126	BOLT 1/2 X 1"	12	12
30	5170	SET SCREW 1/2 X 3/4"	4	4
31	5031	J BOLT	3	3
32	5040	NUT 5/16"	3	3
33	5068	WASHER 5/16"	3	3
34	5069	WASHER 7/16"	24	24
35	5270	PIN 1/4" X 2 1/2" SS	2	2
36	10200	DOCK CONNECTORS	2	2
37	5066	WINCH NUT	2	2
38	3850	VLM COVER PLATE APD WHITE	2	-
	3851	VLM COVER PLATE APD BEIGE	2	-
	3852	VLM COVER PLATE CPD BROWN	-	2
39	3840	COVER PLATE APD WHITE	2	-
	3845	COVER PLATE APD BEIGE	2	-
	3841	COVER PLATE CPD BROWN	-	2



Wheel dock height adjustment instructions

Before moving your dock into the water, make sure that the chains are not wrapped around the axle, and then pull the slack out of the chains by hooking them into the keyhole bracket. Roll your dock into position, and loosen the set screws on the VLM pocket. Adjust the dock to the desired height making sure that there is enough slack in the chains to accommodate the height you will be adjusting to. Once the desired height is reached, pull both the chains tight and then lower one side of the dock so the next link can be hooked into the keyhole slot and raise the dock back up to complete the tightening of the chain. Repeat on the other side. When finished with this, there should be no visible slack left in the chains, and they should be tight enough that you can't move them. Tighten the set screws in the VLM pocket.

The cross chains are to help control the side-to-side stability of the end of the dock and need to be tight. Once set they only need to be adjusted if the height of the dock is changed. **WARNING: before raising the dock it is necessary to loosen both of the chains and the set screws, or serious damage to the dock may occur.** When tightening the set screws, they should be tightened until they are snug against inside leg, and then tightened 1 1/2 to 2 turns more. Check the set screws after a couple of uses and retighten if necessary.

When moving dock into and from lake, lower dock to lowest level possible.

Porta-Dock, Inc.