

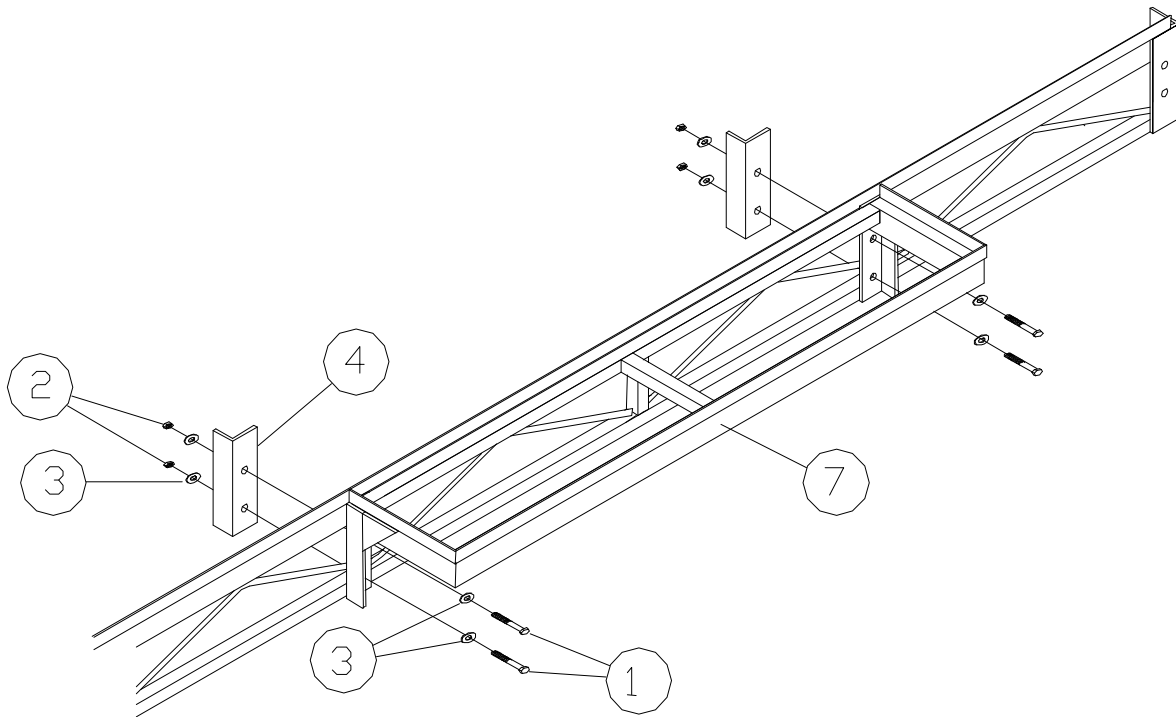
PORTA-DOCK, INC.

WHEEL DOCK DECK EXT.

E11 4' X 10" AA/APD DS DECK EXTENSION FOR 4' & 5' DOCKS

E13 4' X 10" CPD DS DECK EXTENSION FOR 4' & 5' DOCKS

Thank you for purchasing our product!
Please read these instructions and follow them step by step.



DECK EXTENSIONS PARTS LIST

REF#	PART#	DESCRIPTION	AA/APD QTY	CPD QTY
1	5083	3/8" X 2 1/2" BOLT	4	4
2	5056	3/8" NUT	4	4
3	5070	3/8" WASHER	8	8
4	30801	BACKER PLATE 4' & 5' DOCKS	2	2
5	E14	CEDAR 10" X 4' PANEL	-	1
	1750	ALUMINUM EXTENSION PANEL	1	-
6	4108	8' PVC FOAM TAPE - AA/APD EXT.	1	-
7	E40	FRAME EXTENSION FOR 5' DOCKS	1	1