

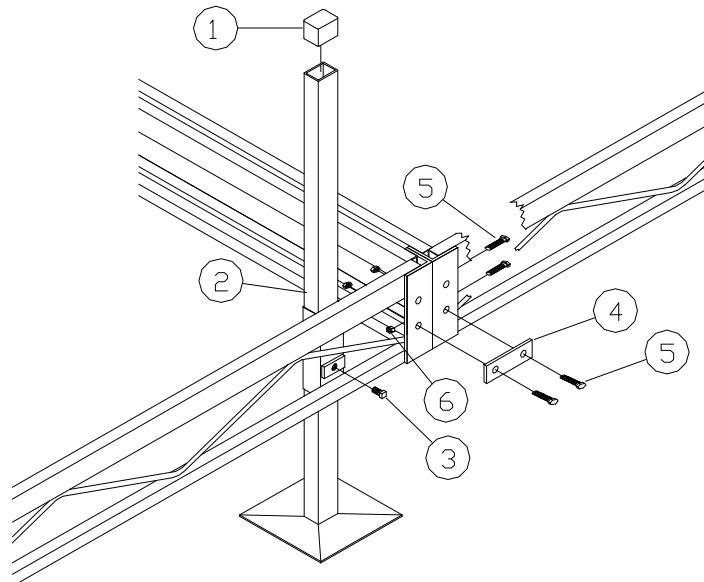
PORTA-DOCK, INC.**Thank you for purchasing a Porta-Dock product!****ALUMINUM DEEP SIDE 4' X 16', 10'5" & 8' ADD ON DOCKS****AA 16'ADDON AD25/AD30**AA 10'5" ADDON AD35/AD40**AA 8'ADDON AD45/AD50/AD55****CPD 16'ADDON AW25/AW30**CPD 10'5"ADDON AW35/AW40**CPD 8'ADDON AW45/AW50/AW55****APD 16'ADDON AP25/AP30**APD 10'5" ADDON AP35/AP40**APD 8'ADDON AP45/AP50/AP55*****For Beige Decking Add the Letter B to the Model***

Turn add on section on its side and insert aluminum dock post (**REF. # 2**) into dock post pocket and tighten with 1/2"x 3/4" set screw (**REF.# 3**) (Finger tighten at this time). Place add on sections together and fasten thru the two end holes of the frame with 1/2" x 1 1/4" bolts, 7/16" washers, and 1/2" nuts (**REF. # 5, 6, & 7**). Then locate your dock connector bracket (**REF. # 4**) and place on the two bottom holes on the outside of framework and fasten with (**REF. # 5, 6, & 7**). Adjust your dock to desired height then tighten set screws on dock post.

**** 4 Pocket Docks 30, 40 & 50 DOES NOT INCLUDE POSTS**

#TE: On APD models run foam tape on top edge of framework. After the panels are installed on the dock, slide a cover plate (**Ref. # 8**) down each dock Post and onto the deck. Place a rectangular post cap (**Ref. # 1**) onto each post.

REF #	PART #	DESCRIPTION	QUANTITY		
			APD	CPD	AA
1	3803	RECTANGULAR POST CAP 2/PKT	2	2	2
		RECTANGULAR POST CAP 4PKT	4	4	4
2	C27	ALUMINUM DOCK POST	2	2	2
3	5170	1/2"X 3/4" SET SCREW 2/PKT	2	2	2
	5170	1/2" X 3/4" SET SCREW 4/PKT	4	4	4
4	10200	DOCK CONNECTOR BRACKET	2	2	2
5	5126	1/2"X 1 1/4" BOLT	8	8	8
6	5069	7/16" WASHERS	16	16	16
7	5058	1/2" NUT	8	8	8
	4108	16' FOAM TAPE (APD 8' ONLY)	2	-	-
		(APD 16' ONLY)	4	-	-
8	3840	COVER PLATE APD WHITE	2	-	-
	3845	COVER PLATE APD BEIGE	2	-	-
	3841	COVER PLATE CPD BROWN	-	2	-



FRAMES

FRAME #	DESCRIPTION
M21	AA 4' X 16' DEEP SIDE 2/POCKET
M22	AA 4' X 16' DEEP SIDE 4/POCKET
M23	AA 4' X 10' 5" DEEP SIDE 2/POCKET
M24	AA 4' X 10' 5" DEEP SIDE 4/POCKET
M28	AA 4' X 8' DEEP SIDE 2/POCKET
M29	AA 4' X 8' DEEP SIDE 4/POCKET
M30	AA 4' X 8' DEEP SIDE POCKETS LONGSIDE
M61	APD/CPD 4' X 16' DEEP SIDE 2/POCKET
M62	APD/CPD 4' X 16' DEEP SIDE 4/POCKET
M63	APD/CPD 4' X 10' 5" DEEP SIDE 2/POCKET
M64	APD/CPD 4' X 10' 5" DEEP SIDE 4/POCKET
M65	APD/CPD 4' X 8' DEEP SIDE 2/POCKET
M66	APD/CPD 4' X 8' DEEP SIDE 4/POCKET
M67	APD/CPD 4' X 8' DEEP SIDE POCKETS ON LONGSIDE

ALUMINUM PANELS

DOCK #	DESCRIPTION	B12(B)	B14 (B)	B17 (B)	B86 (B)	B88 (B)
AP25(B)	4' X 4' STRAIGHT-	-	-	-	3	-
	4' X 4' ADD ON CUTOUT	-	-	-	1	-
AP30(B)	4' X 4' STRAIGHT	-	-	-	2	-
	4' X 4' ADD ON CUTOUT	-	-	-	-	2
AP35(B)	2' 6" X 4' STRAIGHT	-	-	1	-	-
	4' X 4' STRAIGHT	-	-	-	-	1
	4' X 4' ADD ON CUTOUT	-	-	-	1	-
AP40(B)	2' 6" X 4' STRAIGHT	-	-	1	-	-
	4' X 4' ADD ON CUTOUT	-	-	-	-	2
AP45(B)	4' X 4' STRAIGHT	-	-	-	1	-
	4' X 4' ADD ON CUTOUT	-	-	-	-	1
AP50(B)	4' X 4' ADD ON CUTOUT	-	-	-	-	2
AP55(B)	4' X 4' ADD ON LEFT CUTOUT	-	1	-	-	-
	4' X 4' ADD ON RIGHT CUTOUT 1	-	-	-	-	-

CEDAR PANELS

DOCK #	DESCRIPTION	BB8	B34	B37	B51	B53
AW25	4' X 4' ADD ON CUTOUT	-	-	-	1	-
	4' X 4' STRAIGHT	-	-	-	-	3
AW30	4' X 4' ADD ON CUTOUT	-	-	-	2	-
	4' X 4' STRAIGHT	-	-	-	-	2
AW35	2' 6" X 4' STRAIGHT	1	-	-	-	-
	4' X 4' ADD ON CUTOUT	-	-	-	-	1
AW40	2' 6" X 4' STRAIGHT	1	-	-	-	-
	4' X 4' ADD ON CUTOUT	-	-	-	2	-
AW45	4' X 4' ADD ON CUTOUT	-	-	-	1	-
	4' X 4' STRAIGHT	-	-	-	-	1
AW50	4' X 4' ADD ON CUTOUT	-	-	-	2	-
AW55	4' X 4' ADD ON RIGHT CUTOUT	-	1	-	-	-
	4' X 4' ADD ON LEFT CUTOUT	-	-	1	-	-