

PORTA-DOCK, INC.

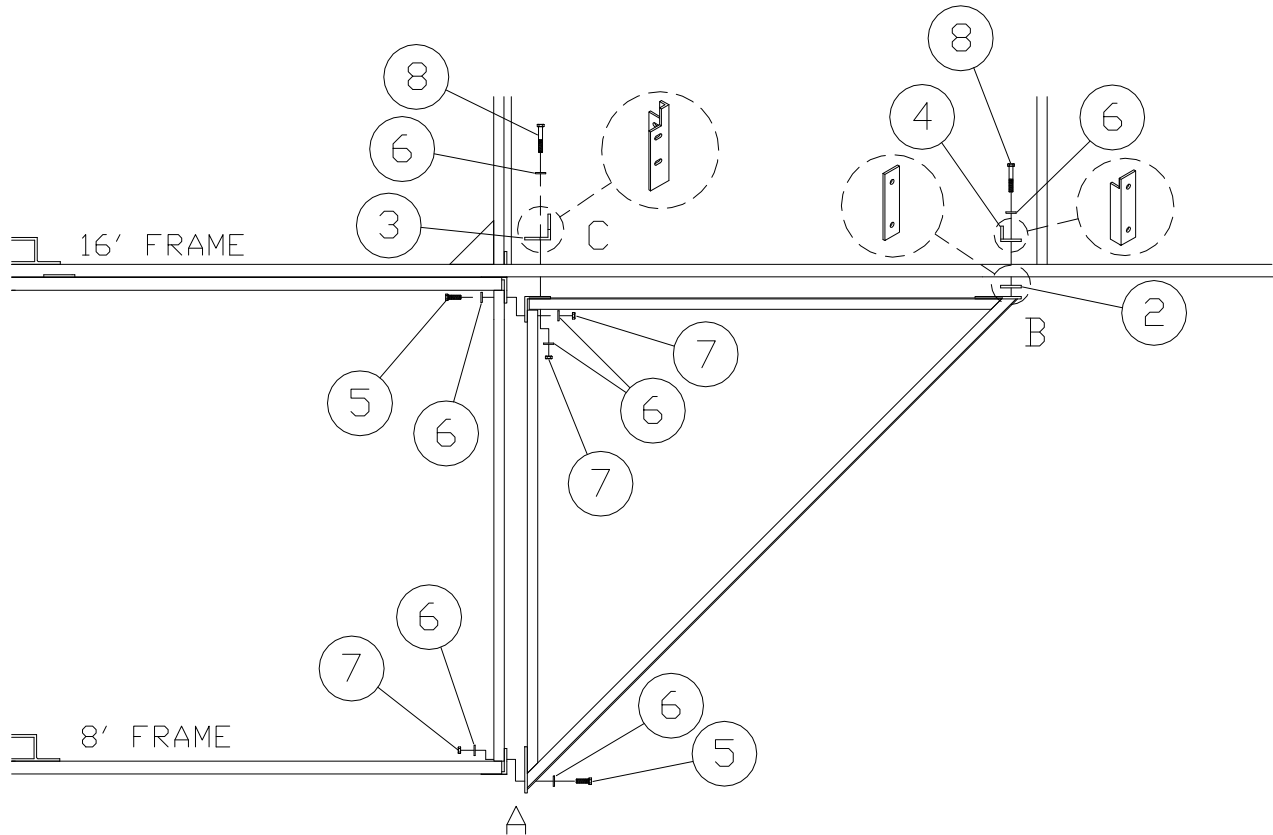
WHEEL DOCK CORNERS

AW70 CPD DS 4' RIGHT CORNER * * AW75 CPD DS 4' LEFT CORNER
CC14 CPD DS 5' RIGHT CORNER * * CC15 CPD DS 5' LEFT CORNER

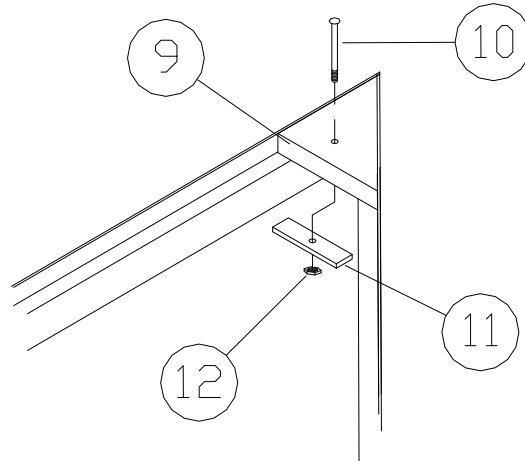
Thank you for purchasing our product!

Please read these instructions and follow them step by step.*

STEP 1. While holding the corner frame in position, at corner A bolt the corner frame to the 8' dock frame with 1/2" X 1 1/4" bolts, washers, and nuts (**Ref. # 5, 6, & 7**). At corner B slide the spacer plate (**Ref. # 2**) between the corner frame and the side of the dock, secure the corner to the dock as shown with the backer angle, 1/2" X 2 1/4" bolts, and washers (**Ref. # 4, 8, & 6**). At corner C bolt the angle on the corner to the angle on the 8' dock with 1/2" X 1 1/4" bolts, washers, and nuts (**Ref. # 5, 6, & 7**). Bolt the backer (**Ref. # 3**) to the other side of the angle on the corner with 1/2" X 2 1/4" bolts, washers, and nuts (**Ref. # 8, 6, & 7**).



STEP 3. Place the corner panel into the framework so that the planking is running in the same direction as the panels of the dock. Bolt the small cedar corner board (**Ref. # 9**) to the shore end of the corner, using a 1/4" X 4" carriage bolt, clamping flat, and nut (**Ref. # 10, 11, & 12**).



AP70 CPD DS 4' RIGHT CORNER * * AP75 CPD DS 4' LEFT CORNER
AW60 CPD DS 5' RIGHT CORNER * * AW65 CPD DS 5' LEFT CORNER

REF. #	PART#	DESCRIPTION	4' CPD	5' CPD
2	50513	CORNER SPACER PLATE	1	1
3	50515	INSIDE CORNER BACKER ANGLE	1	1
4	50514	CORNER BACKER ANGLE	1	1
5	5126	1/2" X 1 1/4" BOLT	4	4
6	5069	7/16" WASHER	14	14
7	5058	1/2" NUT	6	6
8	5120	1/2" X 2 1/2" BOLT	4	4
9	50024	CEDAR CORNER END BOARD	1	1
10	5182	1/4" X 4" CARRIAGE BOLT	1	1
11	30400	FLAT FOR CORNER BOARD	1	1
12	5055	1/4" NUT	1	1

FRAMES

M38	4' LEFT CORNER FRAME	1	-
M39	4' RIGHT CORNER FRAME	1	-
M56	5' LEFT CORNER FRAME	-	1
M57	5' RIGHT CORNER FRAME	-	1

PANELS

B82	4' LEFT CPD CORNER PANEL	1	-
B83	4' RIGHT CPD CORNER PANEL	1	-
B89	5' LEFT CPD CORNER PANEL	-	1
CC1	5' RIGHT CPD CORNER PANEL	-	1