

PORTA DOCK, INC.

F71 ARM REST 4' CEDAR PAIR

F77 ARM REST 4' WHITE * F77B ARM REST 4' BEIGE PAIR

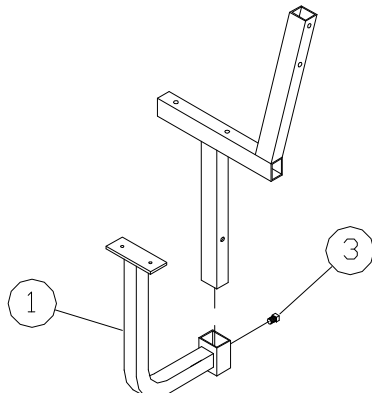
F72 ARM REST 5' CEDAR PAIR

F86 ARM REST 5' WHITE F86B ARM REST 5' BEIGE PAIR

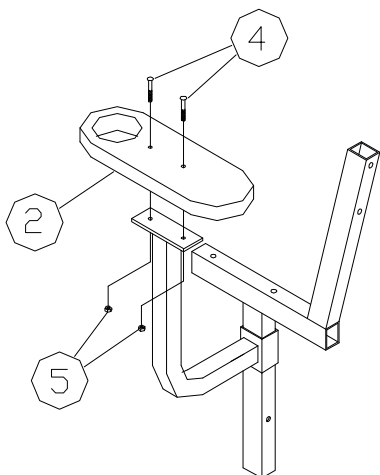
Thank you for purchasing our product.

Please read these instructions and follow them step by step.

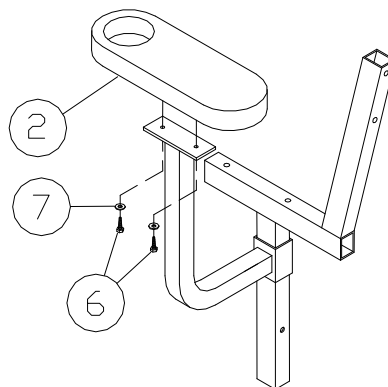
Step 1. Slide the arm rest support tube (**REF. #1**) onto the bottom tube of the bench side. Set to desired height and secure with 1/2" X 5/8" set screw (**REF. #3**).



Step 2. Bolt the arm rests (**REF. # 2**) to the flat plate on top of the arm rest support tube using 1/4" X 2" carriage bolts and nuts (**REF.# 4 & 5**) for cedar arm rests and 1/4" X 3/4" screws and washers (**REF.# 6 & 7**) for white and beige arm rests.



CEDAR ARM REST



FIBERGLASS ARM REST

REF. #	Part #	Description	Qty
1	46F	ARM REST SUPPORT TUBE 4'	2
	46G	ARM REST SUPPORT TUBE 5'	2
2	3466	ARM REST CEDAR	2
	3099	ARM REST WHITE	2
	3099B	ARM REST BEIGE	2
3	5172	1/2" X 5/8" SET SCREW	2
4	5181	1/4" X 2" CARRIAGE BOLT	4
5	5055	1/4" NUT	4
6	5128	1/4" X 3/4" SCREW	4
7	5075	1/4" WASHER	4
	3098	CUP HOLDER WHITE	2

Porta-Dock, Inc.