

**PORTA-DOCK, INC.**

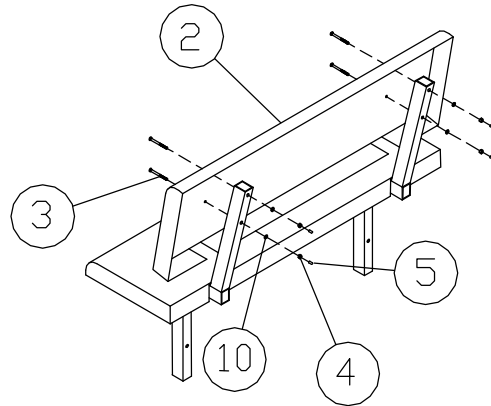
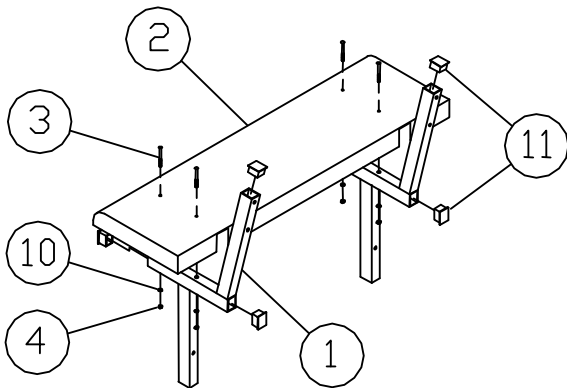
**G55 SOLID\*G56 BRKT\*G57 PD\*G58 MULTI DK 48" FIBERGLASS BENCH KIT**

**For Beige Color Add The Letter B To Model\***

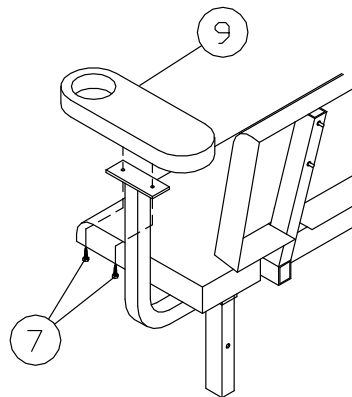
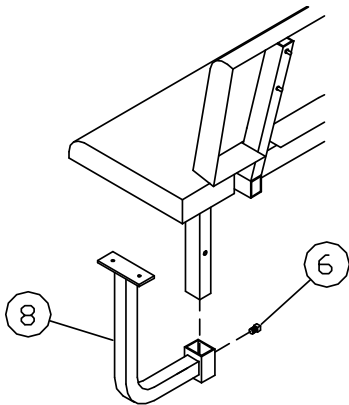
**Thank you for purchasing our product.**

**Please read these instructions and follow them step by step.**

**Step 1.** Pound the black plastic caps (**REF. # 11**) into the top, front, and back of the bench sides. Bolt the seat (**REF. # 2**) of the bench to the bench sides (**REF. # 1**) using 1/4" X 2 1/2" carriage bolts, washers, and nuts (**REF. # 3, 10, & 4**). Bolt the back of the bench (**REF. # 2**) to the bench sides using 1/4" X 2 1/2" carriage bolts, washers, and nuts (**REF. # 3, 10, & 4**). Cap the bolts that are sticking through the back of the bench with 1/4" bolt caps (**REF. # 5**). **NOTE:** if installing the bench with a post dock mounting bracket, install the post dock support bracket onto the backrest support tube before bolting on the backrest (see post dock bracket kit instructions).



**Step 2.** Slide the arm rest support tube (**REF. # 8**) onto the bottom tube of the bench side. Set to desired height and secure with 1/2" X 1" set screws (**REF # 6**). Bolt the arm rests (**REF. # 8**) to the flat plate on top of the arm rest support tube using 1/4" X 1" lag bolts (**REF. #7**).



REF. #	Part #	Description	Qty
1	G13	BENCH SIDE	2
2	C100 (B)	BENCH SEAT & BACK FIBERGLASS	1
3	5185	1/4" X 2 1/2" CARRIAGE BOLT	8
4	5055	1/4" NUT	8
5	4509	1/4" CAP	4
6	5174	1/2" X 5/8" SET SCREW	2
7	5128	1/4" X 3/4" SCREW	4
8	46F	4' ARM TUBE	2
9	C100 (B)	ARM REST (INCLUDED W/SEAT & BACK)	2
10	5075	1/4" WASHER	8
11	3816	CAP 1 1/2" I.D. BLACK PLASTIC	6

Porta-Dock, Inc.