

PORTA-DOCK, INC.

C01 SOLID TYPE BENCH KIT

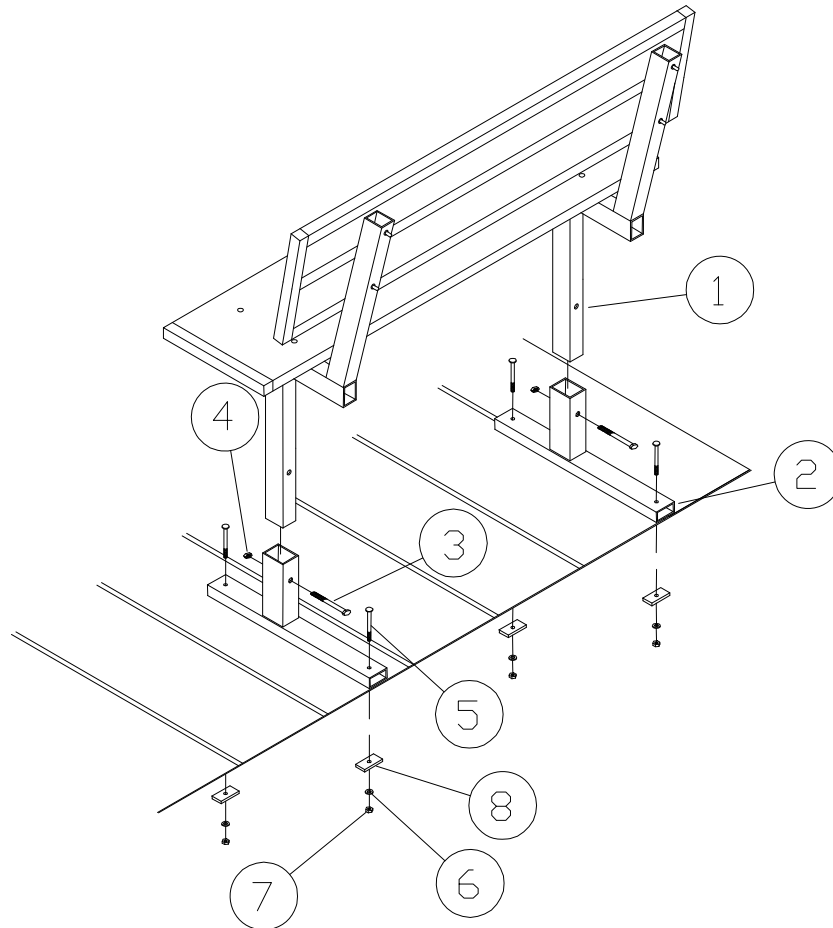
C05 WHITE C05B BEIGE SOLID TYPE BENCH KIT FOR ALUMINUM COMPLETE

C72 SOLID TYPE BENCH KIT FOR CEDAR COMPLETE

Thank you for purchasing our product.

Please read these instructions and follow them step by step.

Step 1. Bolt the bottom solid mounting brackets (**REF. # 2**) to the legs of the bench sides (**REF. # 1**) with 3/8" X 2 3/4" bolts and nuts (**REF. # 3**). Position the assembled bench on the dock where it will be bolted down. If the bolts will not line up with a space in the decking, drill through the hole in the bracket and through the panel. Bolt the bench to the decking with 1/4" X 3" carriage bolt, plate, washer, and nut (**REF. # 5, 8, 6, & 7**).



REF. #	Part #	Description	Qty
1	G13	BENCH SIDE	2
2	C11	BENCH MOUNTING BRACKET	2
3	5132	3/8" X 2 3/4" BOLT	2
4	5056	3/8" NUT	2
5	5183	1/4" X 3" CARRIAGE BOLT	4
6	5075	1/4" WASHER	4
7	5055	1/4" NUT	4
8	50182	SOLID BENCH MOUNTING FLAT	4

Porta-Dock, Inc.