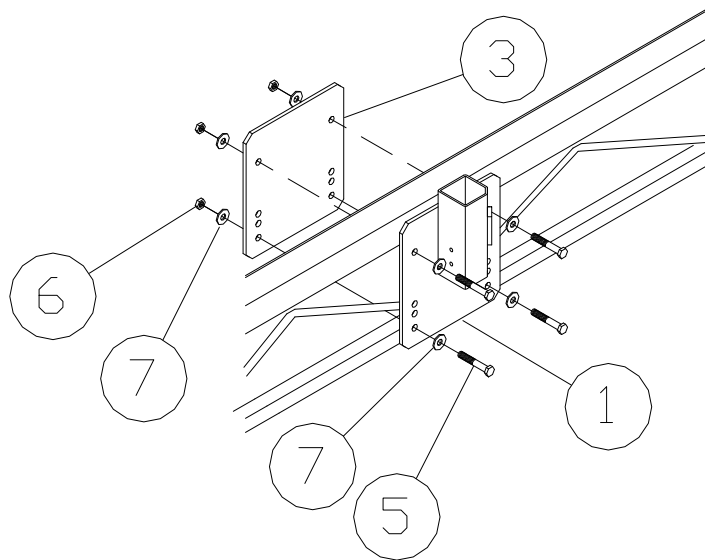


CHAIR MOUNT

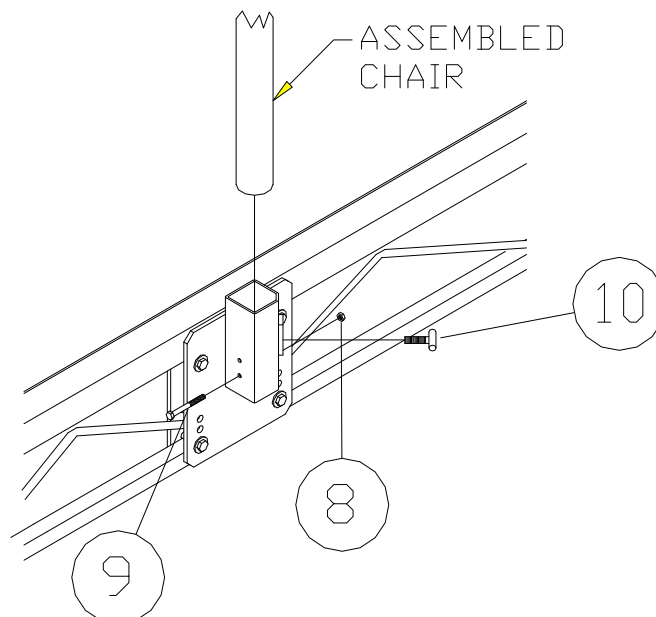
Thank you for purchasing our product!

***Please read these instructions and follow them step by step. ***

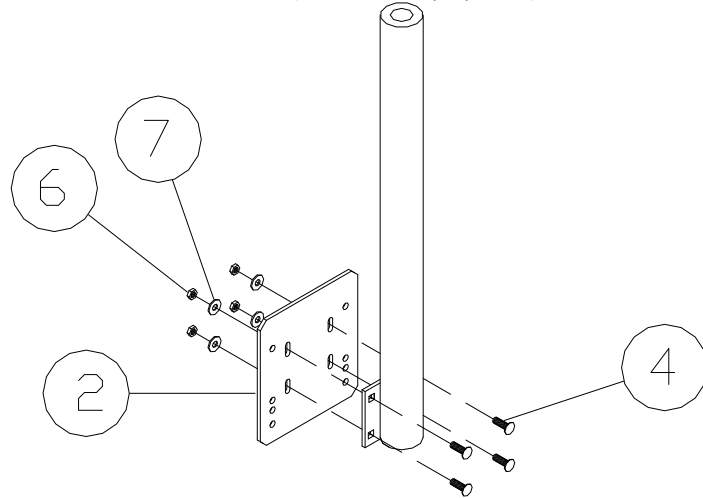
STEP 1. Bolt the chair mount bracket (**Ref. No. 1**) to the outside of the dock in the desired position with a backer plate, 3/8" X 2" bolts, 3/8" washers, and 3/8" nuts (**Ref. No. 3, 5, 7, & 6**).



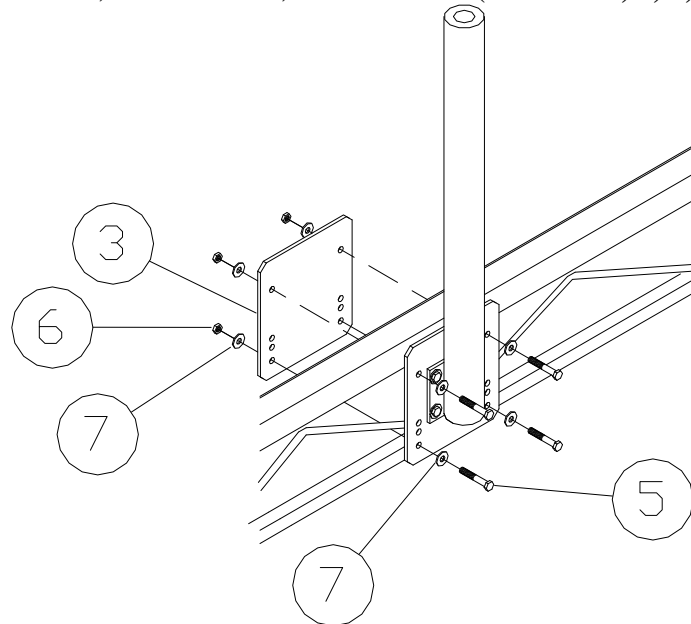
STEP 2. Place a 1/4" X 2 1/4" bolt (**Ref. No. 9**) through either hole in the pocket (the chair will be 1" higher if the bolt is placed through the top hole) and secure with a 1/4" locknut (**Ref. No. 8**). Place the upright tube of the assembled chair into the pocket so it is resting on the bolt, and tighten in place with a T-bolt (found in the other hardware package) (**Ref. No. 10**).



STEP 3. Bolt the table upright to the table mounting plate (**Ref. No. 2**) as shown with 3/8 X 1" carriage bolts, 3/8" washers, and 3/8" nuts (**Ref. No. 4, 7, & 6**).



STEP 4. Bolt the mounting plate to the outside of the dock in the desired position with the backer plate, 3/8" X 2" bolts, 3/8" washers, and 3/8" nuts (**Ref. No. 3, 5, 7, & 6**).



REF. #	PART #	DESCRIPTION	QTY
1	D95	CHAIR MOUNT BRACKET	2
2	60007	TABLE MOUNT PLATE	1
3	60006	BACKER PLATE	3
4	5193	3/8" X 1" CARRIAGE BOLT	4
5	5082	3/8" X 2" BOLT	12
6	5056	3/8" NUT	16
7	5070	3/8" WASHER	28
8	5053	1/4" LOCKNUT	2
9	5153	1/4" X 2 1/2" BOLT	2
10		T-BOLT	2