

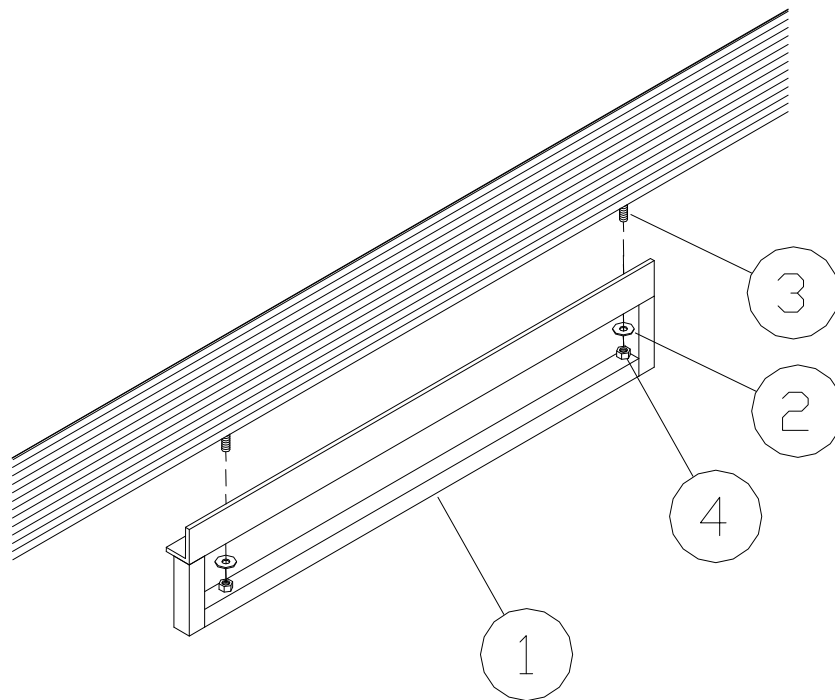
PORTA-DOCK, INC.

L62 DOCK STEP MOUNTING BRACKET FOR MULTI DOCK

Thank you for purchasing our product!

Please read these instructions and follow them step by step.

STEP 1. Bolt the multi dock step mount to the bottom of the dock where you want your step by sliding two 3/8" X 1" carriage bolts (Ref. No. 3) into the access holes in the bottom of the frame, and bolting step mount bracket (Ref. No. 1) to them as shown using 3/8" washers and nuts (Ref. No. 2 & 4).



REF. #	PART #	DESCRIPTION	QTY
1	L62	MULTI-DOCK STEP MOUNT	1
2	5070	3/8" WASHER	4
3	5193	3/8" X 1" CARRIAGE BOLT	2
4	5056	3/8" NUT	2

Porta-Dock, Inc.