

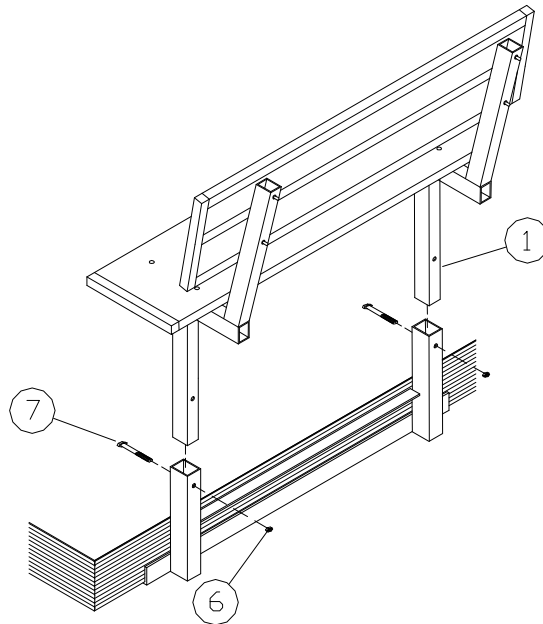
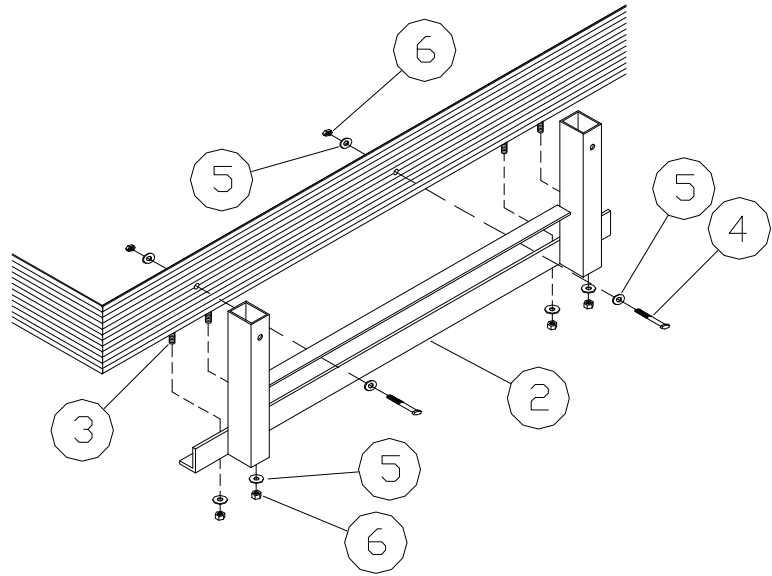
PORTA-DOCK, INC.

C121 MULTI-DOCK BENCH MOUNTING BRACKET

Thank you for purchasing our product!
Please read these instructions and follow them step by step.

Step 1. Temporarily bolt the bench mounting bracket (**REF. # 2**) to the side or end of your dock using 3/8" x 1" carriage bolts, washers, and nuts (**REF. # 3, 5, & 6**). Mark the centers of the holes in the top angle on the bench bracket onto the dock frame. Remove the bench mounting bracket and drill a 7/16" hole through the dock side at each mark. Re-install the bench mounting bracket and bolt the top angle on the bench bracket to the dock side with 3/8" X 2" bolts, washers, and nuts (**REF. # 4, 5,&6**).

Step 2. Slide the bench into the pockets and bolt in place with 3/8" X 2 3/4" bolt and nut (**REF # 7 & 6**).



REF. #	PART #	DESCRIPTION	QTY
1	G13	BENCH SIDE	2
2	44R	MULTI-DOCK BENCH MTG BRKT	1
3	5193	3/8" X 1" CARRIAGE BOLT	4
4	5082	3/8" X 2" BOLT	2
5	5070	3/8" WASHER	12
6	5056	3/8" NUT	8
7	5132	3/8" X 2 3/4" BOLT	2

Porta-Dock, Inc.