

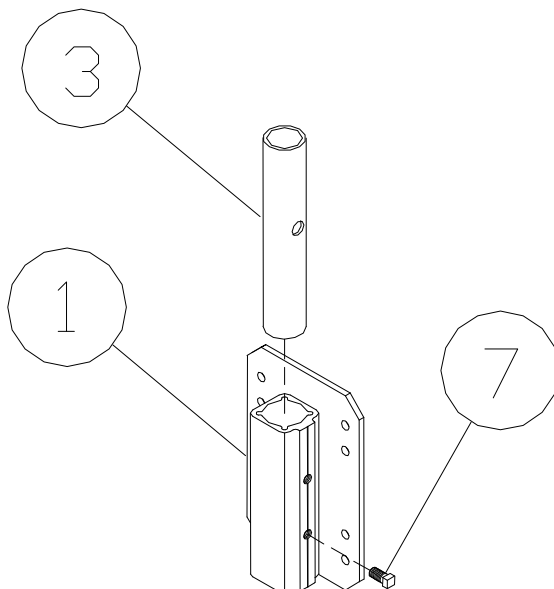
## **PORTA DOCK, INC**

### **R97 FLAG POLE BRACKET (FITS 1 3/8" & 1 5/8" O.D. PIPE)**

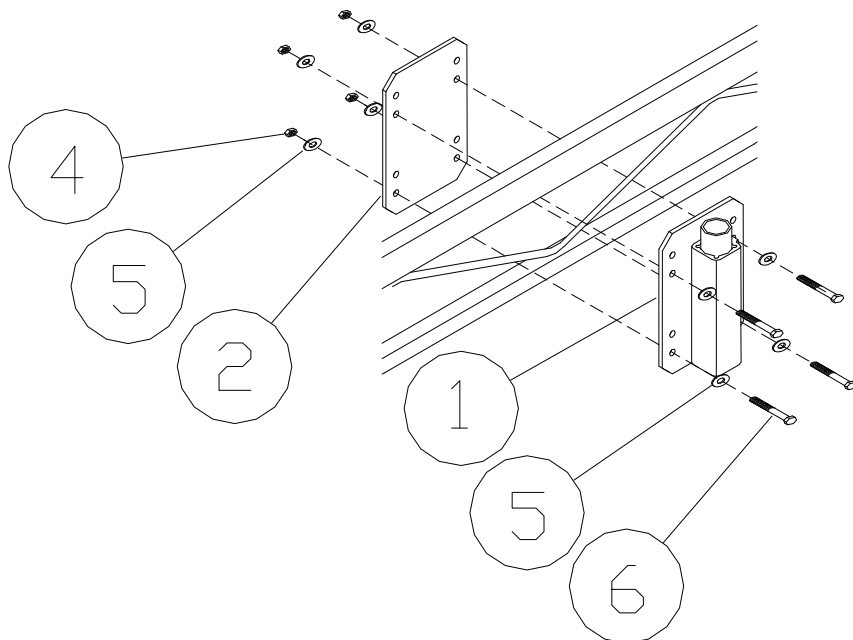
**Thank you for purchasing our product.**

**Please read these instructions and follow them step by step.**

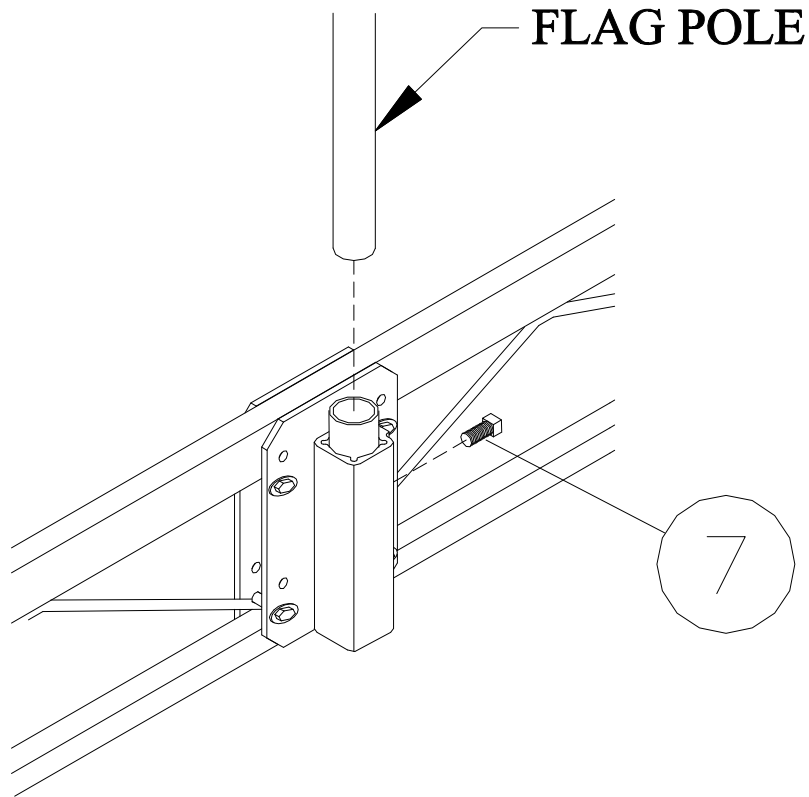
**Step 1.** If using a 1 5/8" flag pole the bushing is not needed, go to step 2. Insert the flag pole spacer bushing (**Ref. No. 3**) into the pocket on the flag pole bracket (**Ref. No. 1**), line up the hole in the spacer bushing with the top hole in the flag pole bracket. Secure the bushing into the bracket with a 1/2" X 3/4" set screw (**Ref. No. 7**) in the bottom hole in the bracket. Note: The bushing should be roughly even with the bottom of the pocket.



**Step 2.** Bolt the flag pole bracket (**Ref. No. 1**) to the dock with the backer plate, 3/8" X 2 1/2" bolts, washers, and nuts (**Ref. No. 2, 6, 5, & 4**). Use the holes that are closest to the top and bottom rail on the dock.



**Step 3.** Insert the flag pole into the assembled bracket and secure in place with a 1/2" X 3/4" set screw (**Ref. No. 7**) in the top hole.



**R97 FLAG POLE BRACKET**

<b>REF. #</b>	<b>Part #</b>	<b>Description</b>	<b>Qty</b>
1	43R	FLAG POLE MOUNTING BRACKET	1
2	60642	FLAG POLE PLATE	1
3	60644	FLAG POLE SPACER BUSHING	1
4	5056	3/8" NUT	4
5	5070	3/8" WASHER	8
6	5083	3/8" X 2 1/2" BOLT	4
7	5170	1/2" X 3/4" SET SCREW	2