

## **PORTA-DOCK, INC.**

### **FP22/FW22 4' X 16' FLOATING ADD ON** **FP42/FW42 4' X 8' FLOATING ADD ON**

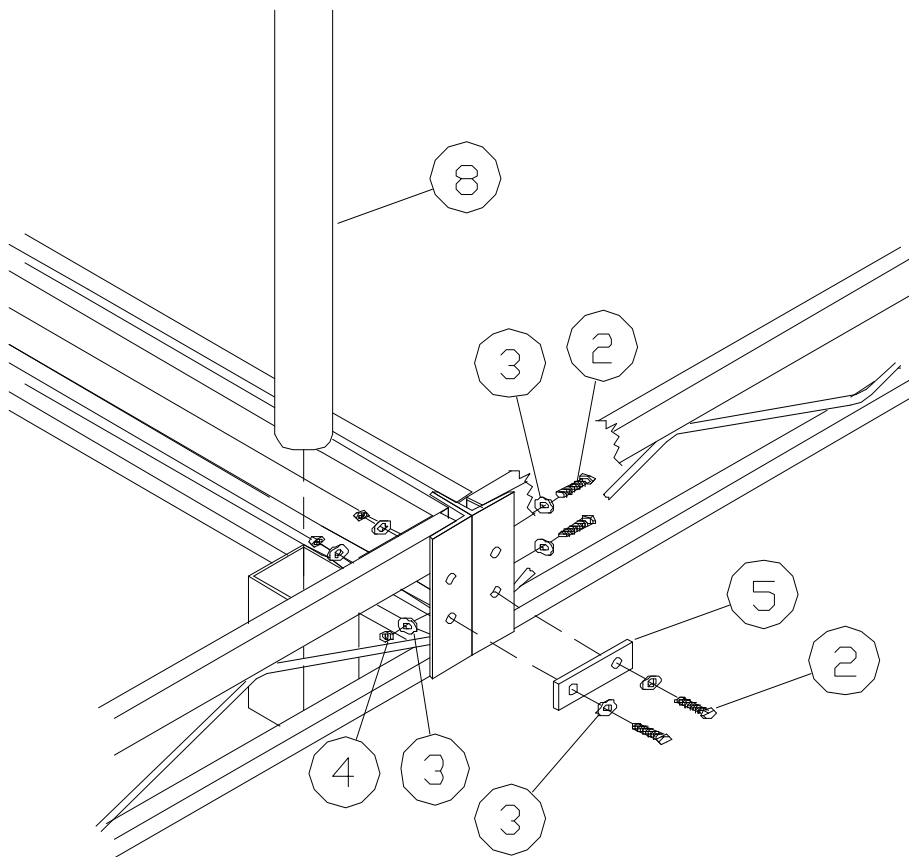
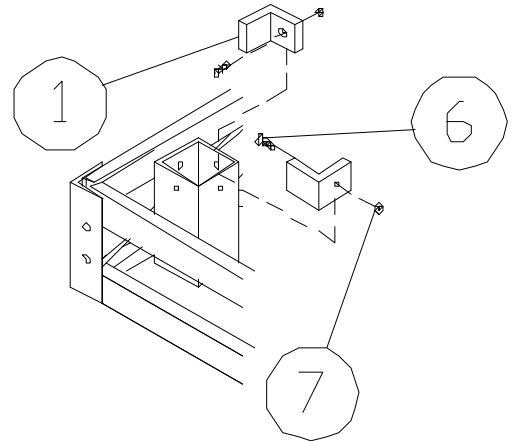
**\*For Beige Decking Add the Letter B to Model\***

**Thank you for purchasing our product!**

**\*Please read these instructions and follow them step by step. \***

**STEP 1.** Bolt the plastic slide angles (**REF. # 1**) into the top holes in the pockets of the dock with 1/4" X 7/8" flat head machine screws and 1/4" keps locknuts (**REF. # 6 & 7**).

**STEP 2.** Place add on sections together and fasten thru the two end holes of the frame with 1/2" X 1 1/4" bolts, 7/16" washers, and 1/2" nuts (**REF. # 2, 3, & 4**). Then locate the dock connector bracket (**REF. # 5**) and place on the two bottom holes on the outside framework and fasten with 1/2" X 1 1/4" bolts, 7/16" washers, and 1/2" nuts (**REF. # 2, 3, & 4**). Once the dock is in position in the lake, slide the posts into the pockets (if using an auger install the auger to the post at this time) and auger or drive the posts into the lake bottom. The posts must be in the lake bottom far enough that the dock is secure.



**NOTE:** On APD models run foam tape on top of dock framework.  
Add edging trim to the cutout areas on the panels around the posts Make  
sure the holding hook on the edging is to the bottom of the deck.

## FLOATING DOCK PARTS LIST

<u>REF. #</u>	<u>PART #</u>	<u>DESCRIPTION</u>	<u>8'</u> <u>QTY</u>	<u>16'</u> <u>QTY</u>
1	30230	FLOATING POCKET SLIDE ANGLE	4	4
2	5126	1/2" X 1 1/4" BOLT	8	8
3	5069	7/16" WASHER	16	16
4	5058	1/2" NUT	8	8
5	10200	DOCK CONNECTING BRACKET	2	2
6	4994	1/4" X 7/8" FLAT HEAD MACHINE SCREW	4	4
7	5053	1/4" KEPS LOCKNUT	4	4
8		POST		
9	4521	16" PLASTIC EDGING	1	1
10	4108	16' ROLL FOAM TAPE (APD ONLY)	2	4

## FRAMES

<u>PART#</u>	<u>DESCRIPTION</u>	<u>8'</u> <u>APD/CPD</u>	<u>16'</u> <u>APD/CPD</u>
M40	FRAME APD/CPD 4' X 8' ADD ON	1	-
M20	FRAME APD/CPD 4' X 16' ADD ON	-	1

## PANELS

Add the letter **B** to the part # for beige panels.

<u>PART#</u>	<u>DESCRIPTION</u>	<u>8'</u> <u>APD</u>	<u>8'</u> <u>CPD</u>	<u>16'</u> <u>APD</u>	<u>16'</u> <u>CPD</u>
B86(B)	ALUM PANEL 4'X 4' STRAIGHT	1	-	3	-
FLT03	ALUM PANEL 4' X 4' DOUBLE CUTOUT	1	-	1	-
B53	CEDAR PANEL 4'X 4' STRAIGHT	-	1	-	3
FLT08	CEDAR PANEL DOUBLE CUTOUT	-	1	-	1