

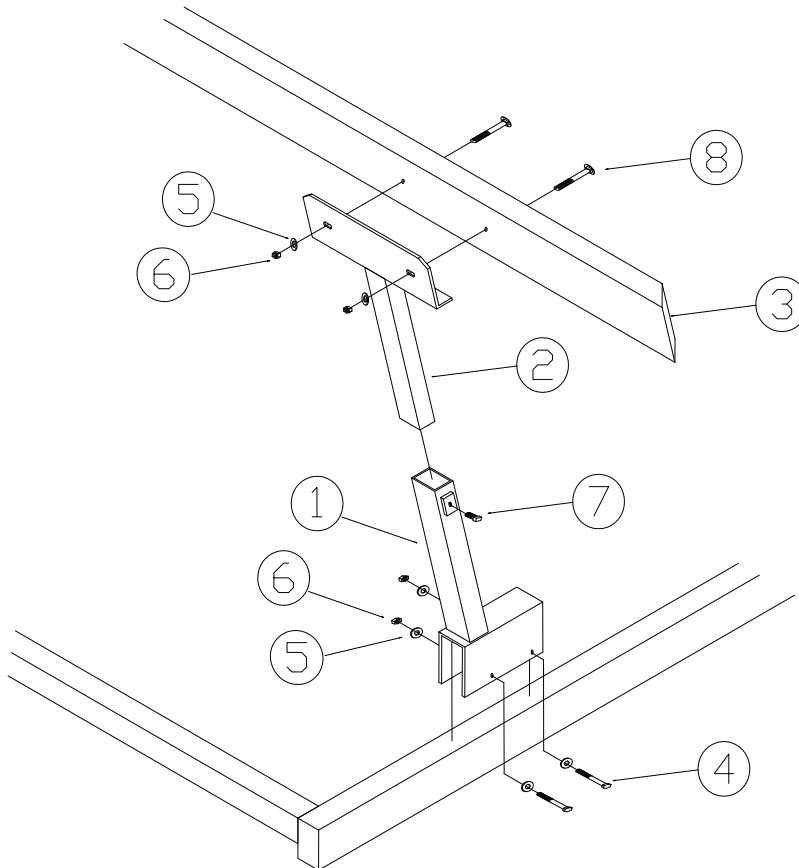
04G GUIDE ON RAILS

Place the bottom leg brackets (**REF. # 1**) over the top bed cross tube. Place two 3/8" X 3" bolts (**REF. # 4**) through the holes in the channel and finger tighten on the 3/8" nuts (**REF. # 6**) and washers (**REF. # 5**).

Place the top rail brackets into the leg tubes of the bottom brackets (**REF. # 2**) Hold in place with 1/2" X 1" set screw (**REF. # 7**). Place the guide rail (**REF. # 3**) onto the lip of the top rail bracket. The end with the tapered angle should be toward the back of the lift and the carpet seam and holes toward the angle of the top bracket. Bolt the bunk rail to the angle bracket with 3/8" X 2 1/2" carriage bolts, washers & nuts. (**REF. # 8, 5 & 6**). Make sure you tighten the nut until the head of the carriage bolt is below the surface of the carpeted rail.

Caution: Make sure that the mounting brackets for the guide on rails do not interfere with the movement of the lift's bed.

| REF # | PART# | DESCRIPTION | QTY |
|--------------|--------------|-----------------------------|------------|
| 1 | 38D | Bottom Leg Bracket | 4 |
| 2 | 42D | Top Rail Bracket | 4 |
| 3 | 44D | Guide Rail | 2 |
| 4 | 5084 | Bolt 3/8" X 3" | 8 |
| 5 | 5070 | Washer 3/8" | 24 |
| 6 | 5056 | Nut 3/8" | 16 |
| 7 | 5174 | Set Screw 1/2" X 1" | 4 |
| 8 | 5195 | Carriage Bolt 3/8" X 2 1/2" | 8 |



Porta-Dock, Inc.