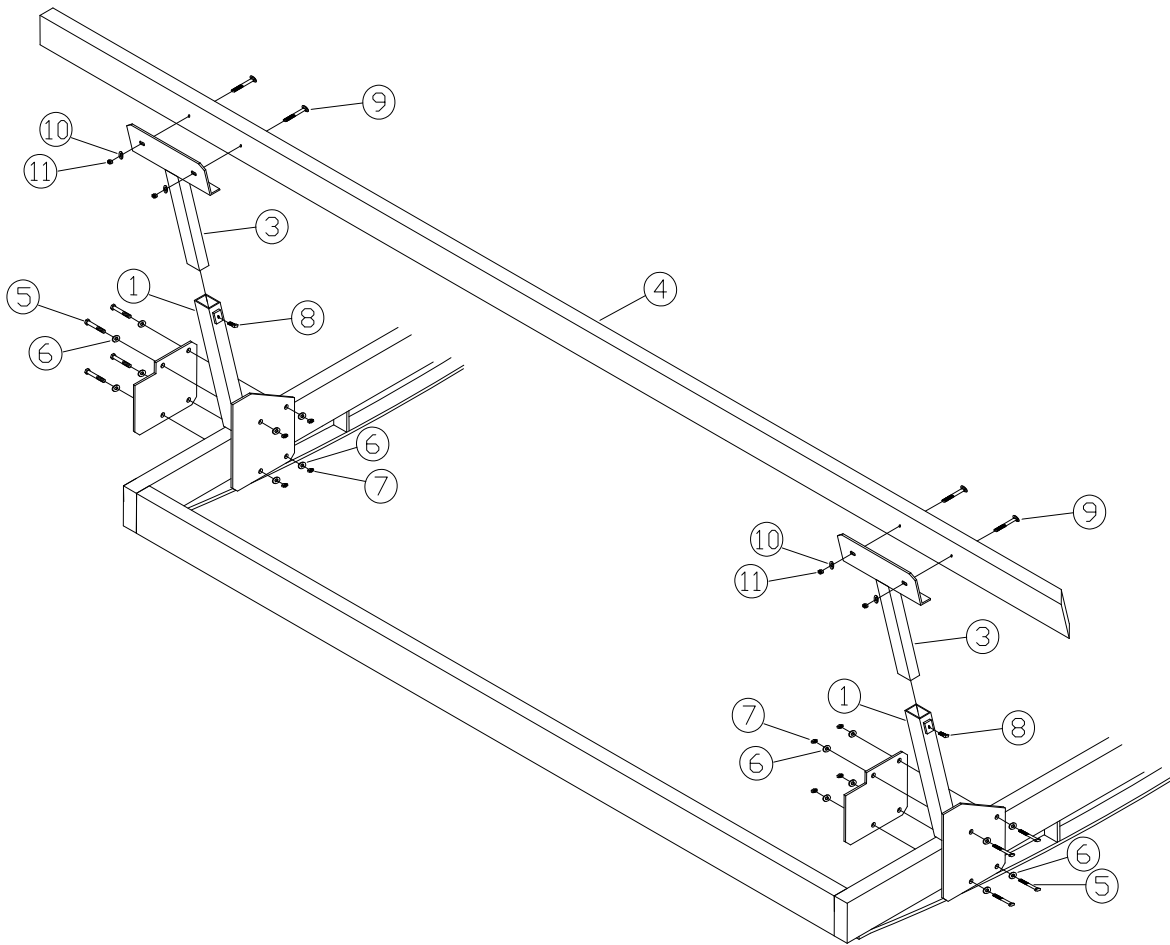


PORTA-DOCK, INC.
06G 6000V GUIDE ON RAILS

Bolt the bottom leg brackets to the front and the rear bed as shown with a backer, 1/2" X 3 1/2" bolts, washers, and nuts (**REF. # 2, 5, 6, & 7**), making sure that the nuts are to the inside of the bed. Leave loose at this time. Place the top rail brackets (**REF. # 3**) into the bottom brackets (**REF. # 1**). Hold in place with 1/2" X 1" set screw (**REF. # 8**). Place the guide rail (**REF. # 4**) onto the lip of the top rail bracket. The end with the tapered angle should be toward the back of the lift and the carpet seam and holes toward the angle of the top bracket. Bolt the bunk rail to the angle bracket with 3/8" X 2 1/2" carriage bolts, washers, and nuts (**REF. # 9, 10, & 11**). Make sure you tighten the nut until the head of the carriage bolt is below the surface of the carpeted rail. Tighten all bolts at this time.

Caution: Make sure that the mounting brackets for the guide on rails do not interfere with the movement of the lift's bed.



REF #	PART#	DESCRIPTION	QTY
1	40P	Bottom Leg Bracket	4
2	60801	Backer	4
3	42D	Top Rail Bracket	4
4	44D	Guide On Rail	2
5	5121	Bolt 1/2" X 3 1/2"	8
6	5071	Washer 1/2"	24
7	5058	Nut 1/2"	16
8	5174	Set Screw 1/2" X 1"	4
9	5195	Carriage Bolt 3/8" X 2 1/2"	8
10	5070	3/8" Washer	8
11	5056	3/8" Nut	8

Porta-Dock, Inc.