

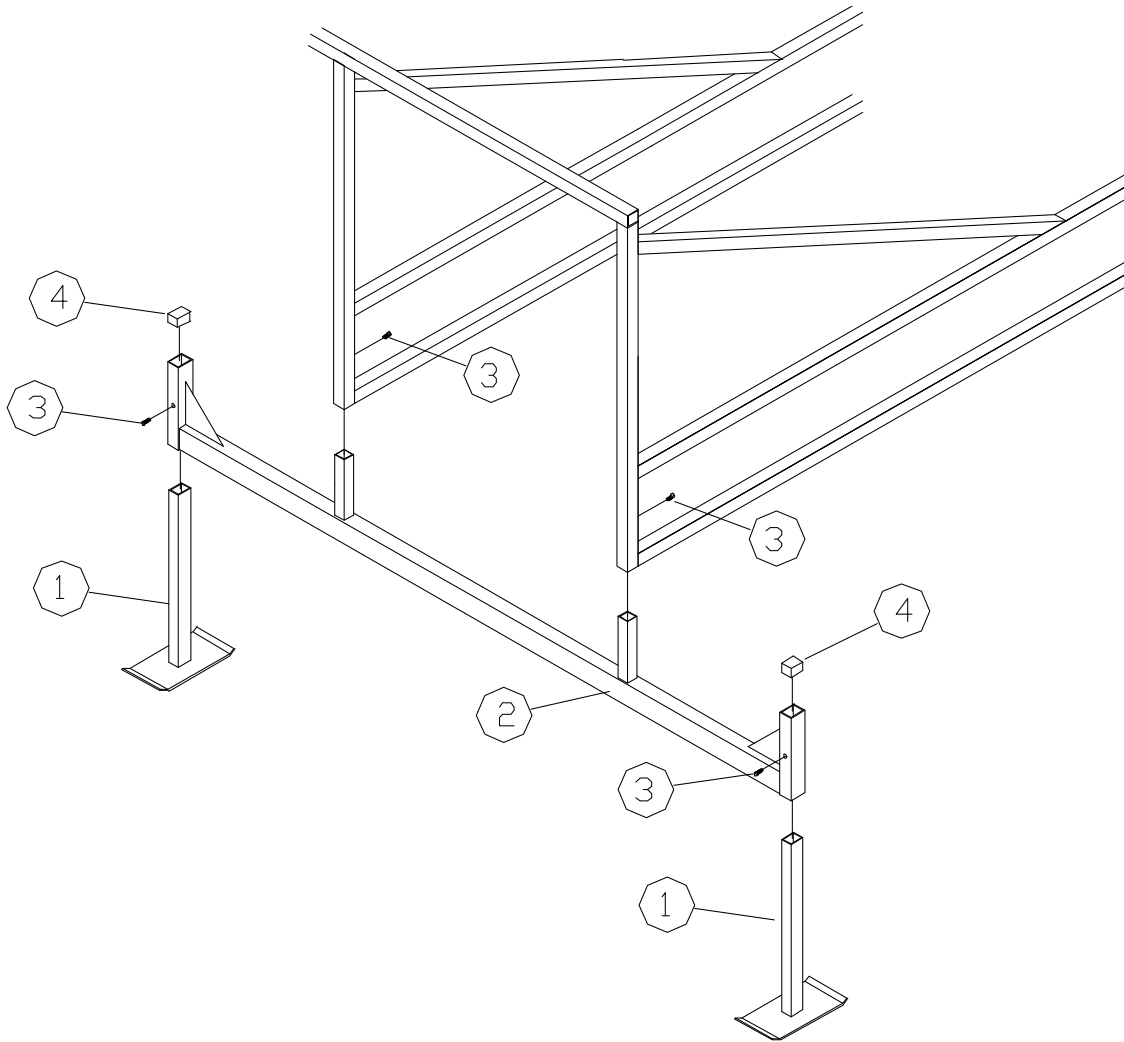
10M NARROW PONTOON LIFT STABILIZER KIT (2500)

Thank you for purchasing our product!

Please read these instructions and follow them step by step.

Step 1. Slide the leveling leg (REF. #. 1) into the end pockets of the stabilizer bar (REF. #. 2). Fasten with 1/2" X 1" set screws (REF. #. 3).

Step 2. Slide the upright tubes of the stabilizer bar into the front upright tubes of the side members. Secure in place with 1/2" X 1" set screws.



REF. #	PART #	DESCRIPTION	QTY
1	61H	LEVELING LEG	2
2	21D	STABILIZER BAR	1
3	5174	1/2" X 1" SET SCREW	2
4	3821	2" X 2" SQUARE CAP	2

Porta-Dock, Inc.