

**PORTA-DOCK INC.**

**16G 6000V DELUXE GUIDE ON RAILS**

**Step 1.** Bolt the bottom leg brackets (**Ref. No. 1**) to the front and rear bed members of the lift (making sure the upright tubes are on the inside of the lift and are slanted toward the side of the lift) with a backer, 1/2" X3 1/2" bolts, washers, and nuts (**Ref. No. 2, 5, 6, & 7**). Finger tighten at this time.

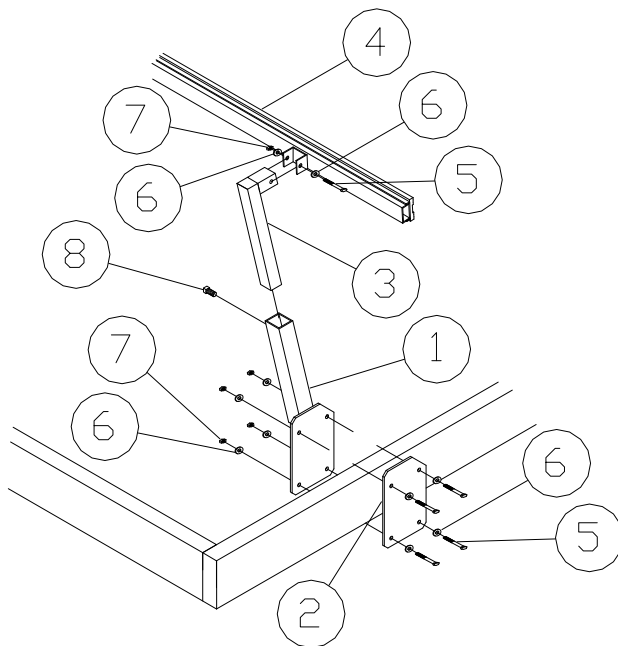
**Step 2.** Place the top rail brackets (**Ref. No. 3**) into the upright tubes of the bottom brackets, making sure that the horizontal stub tube is toward the inside of the lift. Temporarily hold in place with 1/2" X 1" set screw (**Ref. No. 8**).

**Step 3.** After all four brackets are installed, bolt the bunk rail (**Ref. No. 4**) to the stubs of the upright brackets with 1/2" X 3 1/2" bolts, washers, and nuts (**Ref. No. 5, 6, & 7**). After the bunk rails are installed, slide the brackets into the position that you want them and tighten the bolts. Adjust the rails to the desired height and tighten the set screws. Tip the bunks to match the contour of your boat and tighten the bolts.

\*\*\*\*\*

**Caution: Make sure that the mounting brackets for the guide on rails do not interfere with the movement of the lift's bed.**

\*\*\*\*\*



REF #	PART#	DESCRIPTION	QTY
1	35S	DLX GUIDE ON BOTTOM LEG BRKT RIGHT	2
	36S	DLX GUIDE ON BOTTOM LEG BRKT LEFT	2
2	60801	BOTTOM BRACKET BACKER PLATE	4
3	44S	DELUXE GUIDE ON TOP BRACKET	4
4	26F	6000V BUNK RAIL 168"	2
5	5121	1/2" X 3 1/2" BOLT	20
6	5071	1/2" WASHER	40
7	5058	1/2" NUT	20
8	5174	Set Screw 1/2" X 1"	4

Porta-Dock, Inc.