

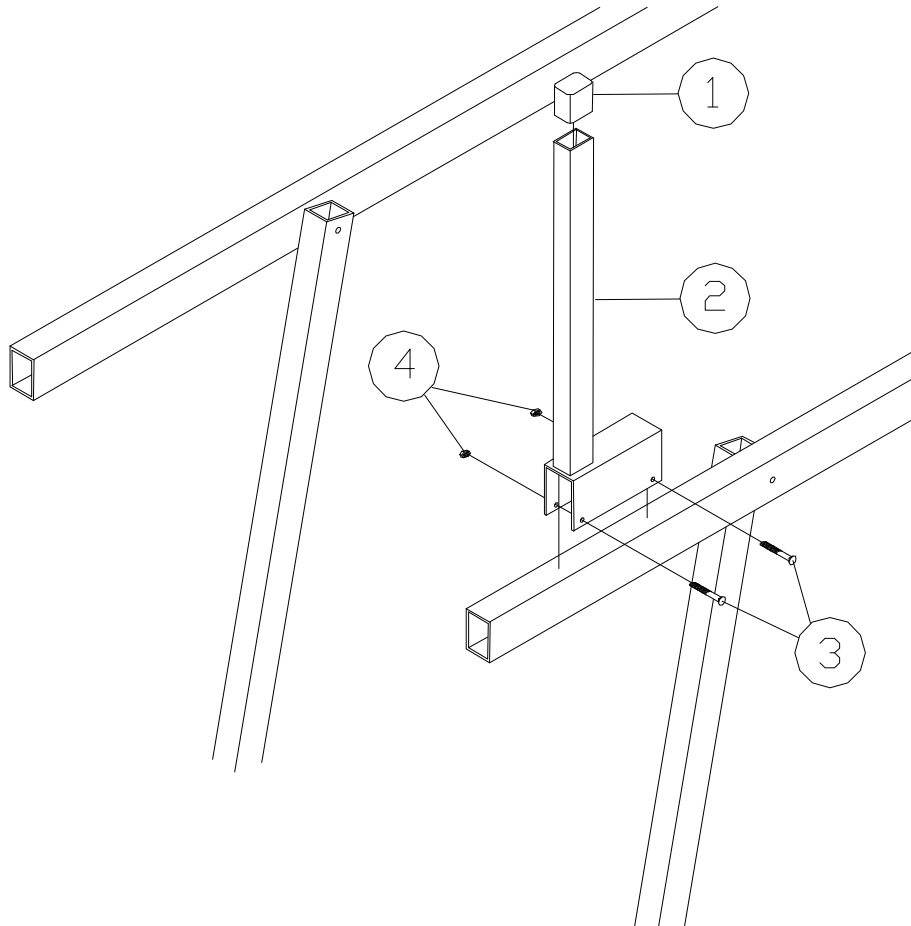
28C ANPL STOP

Thank you for purchasing our product!

Please read these instructions and follow them step by step.

Determine the desired forward position of your pontoon boat on your lift rails. Place the stop channel (**REF. 2**) over the rail with the stop tube at the desired forward position. Secure with 1/4" X 3" carriage bolts and nuts (**REF. 3 & 4**).

| <u>REF. #</u> | <u>PART #</u> | <u>DESCRIPTION</u> | <u>QTY</u> |
|---------------|---------------|-------------------------|------------|
| 1 | 3803 | RECTANGULAR PIPE CAP | 2 |
| 2 | 39C | STOP CHANNEL | 2 |
| 3 | 5183 | CARRIAGE BOLT 1/4" X 3" | 4 |
| 4 | 5055 | 1/4" NUT | 4 |



Porta-Dock, Inc.