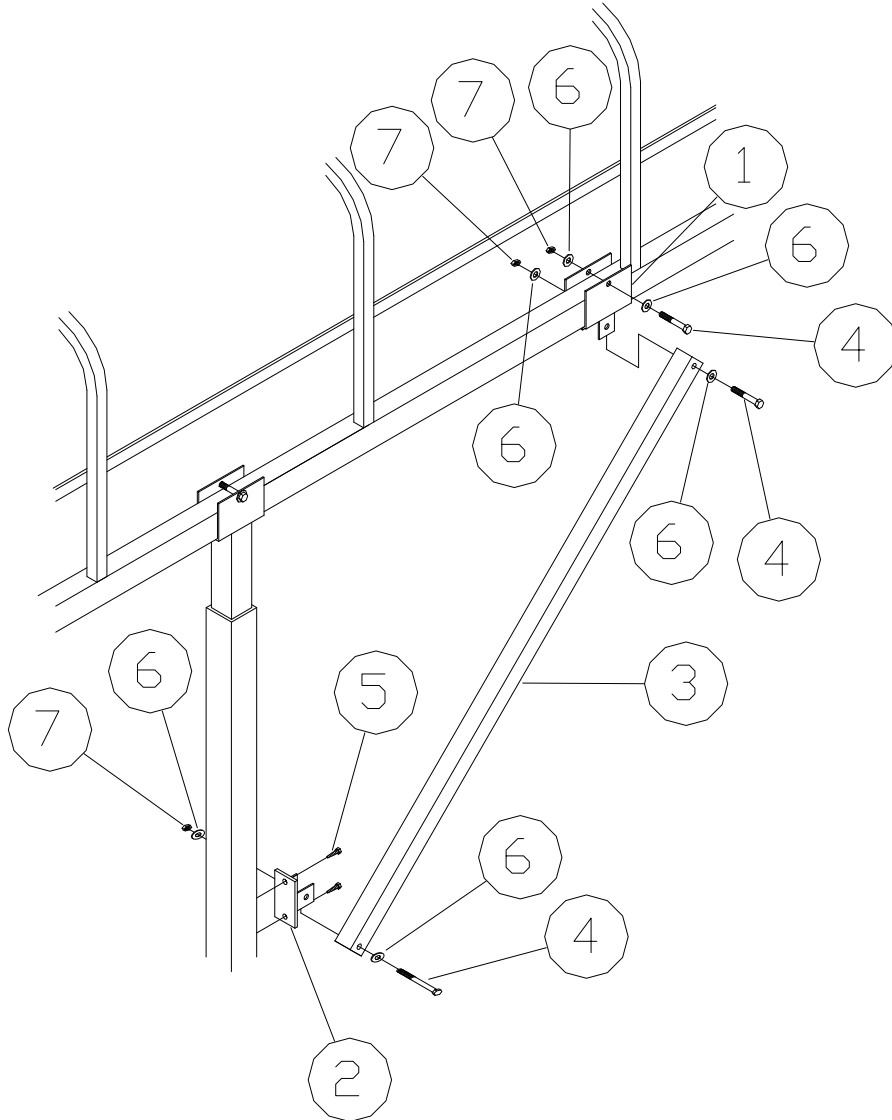


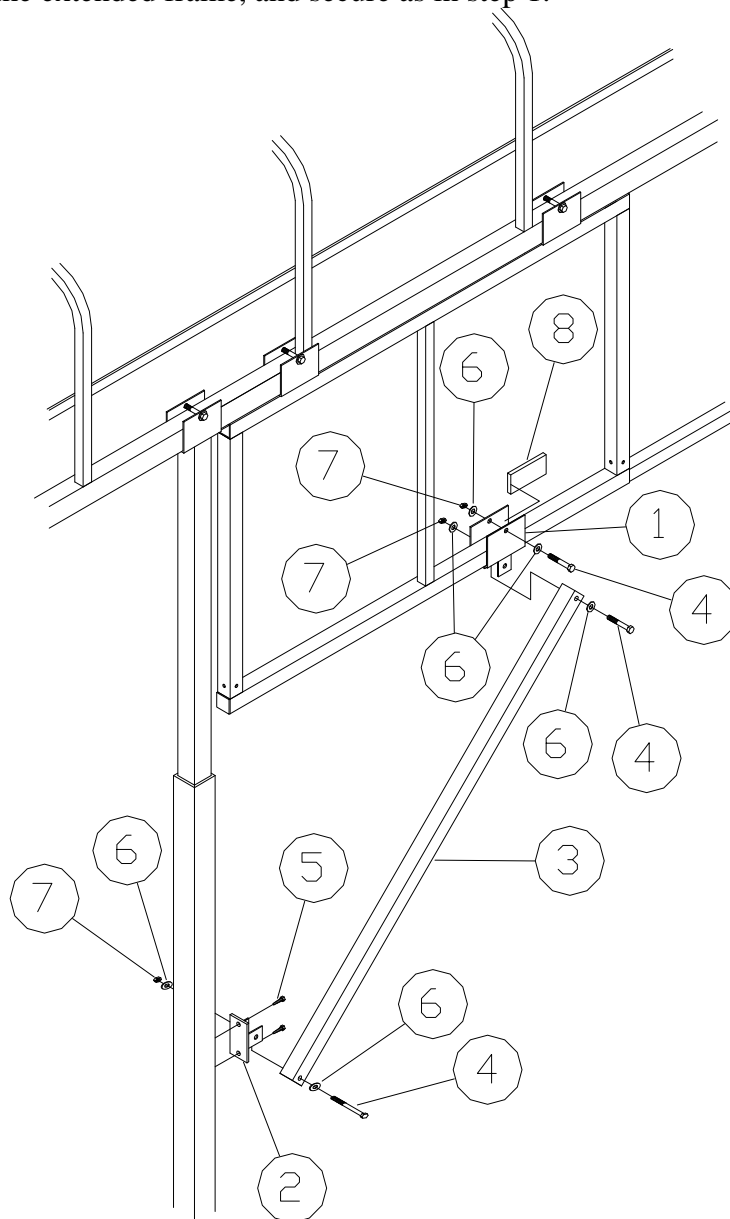
36R CANOPY BRACE

**Thank you for purchasing our product.
Please read these instructions and follow them step by step.**

STEP 1. NOTE: If installing this brace on a canopy with a drop down side curtain please read step 1A first. Hold the brace tube (**REF. NO. 3**) in place at an approximate 45° angle making sure that the bolt hole in the top mounting bracket (**REF. NO. 1**) will not hit the canopy bow and the side bracket (**REF. NO. 2**) will be below the portion of the canopy upright that is inside the upright of the lift. Mark where bottom bracket will be. Bolt the bottom bracket to the center of the lift upright with 1/4" X 1 self tapping screws (**REF. NO. 5**). Bolt the brace tube to the bottom bracket with a 3/8" X 2 1/2" bolt, washers, and nuts (**REF. NO. 4, 6, & 7**) leaving loose at this time. Bolt the top bracket to the tube with a 3/8" X 2 1/2" bolt, washers, and nuts (**REF. NO. 4, 6, & 7**) leaving loose at this time. Bring the tube up and bolt the top bracket to the bottom rail of the canopy with a 3/8" X 2 1/2" bolt, washers, and 3/8" nut (**REF. NO. 4, 6, & 7**). Tighten all bolts at this time.



STEP 1A. If using the canopy brace on a canopy with a drop down side curtain installed the top bracket is bolted to the bottom rail of the extended frame instead of the bottom rail of the canopy. Add the spacer (**REF. NO. 8**) between the inside wall of the top bracket channel and the bottom tube of the extended frame, and secure as in step 1.



REF. #	Part #	Description	Qty
1	11R	CANOPY BRACE TOP BRACKET	2
2	12R	CANOPY BRACE SIDE BRACKET	2
3	60800	CANOPY BRACE TUBE	2
4	5083	3/8" X 2 1/2" BOLT	6
5	4991	1/4" X 14 X 1" SELF TAPPING SCREW	4
6	5070	3/8" WASHER	12
7	5056	3/8" NUT	9
8	0671	3/8" X 2" X 4 1/4" ALUMINUM SPACER PLATE	2