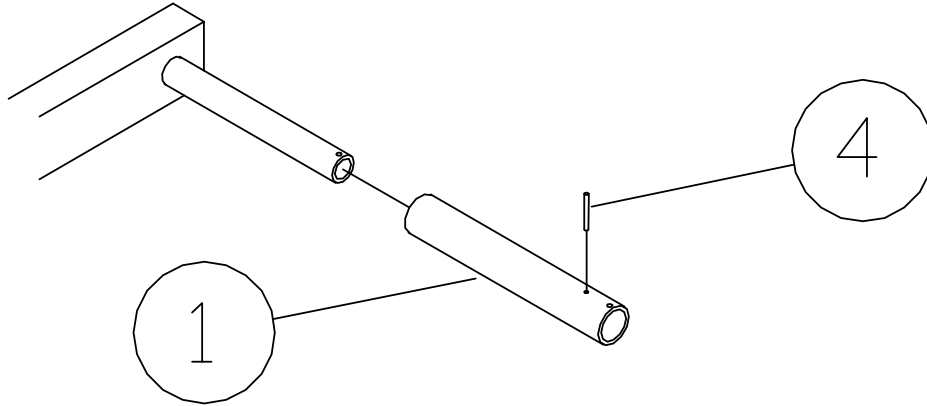


82F LIFT CADDY PLASTIC WHEEL ADAPTER KIT

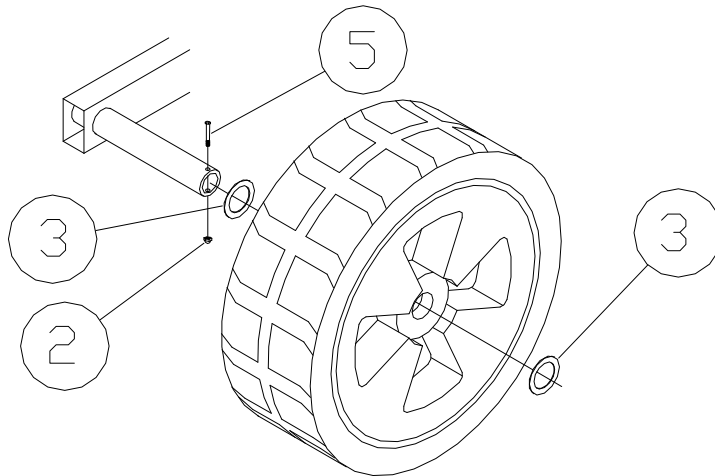
Thank you for purchasing our product!

***Please read these instructions and follow them step by step. ***

Step 1. Line up the holes in the shafts and drive the roll pin (Ref. No. 4) into the hole.



Step 2. Slide the 3" spacer washer (Ref. No. 3) onto the stub axle, then the tire, and another 3" washer (Ref. No. 3). Secure in place with a 1/4" X 2 1/2" bolt and acorn nut (Ref. No. 5 & 2).



REF. #	PART #	DESCRIPTION	QTY
1	50166	ADAPTER PIPE	2
2	5041	1/4" ACORN NUT	2
3	5077	3" WASHER	2
4	5119	1/4" X 1 7/8" ROLL PIN	2
5	5153	1/4" X 2 1/2" BOLT	2

Porta-Dock, Inc.