

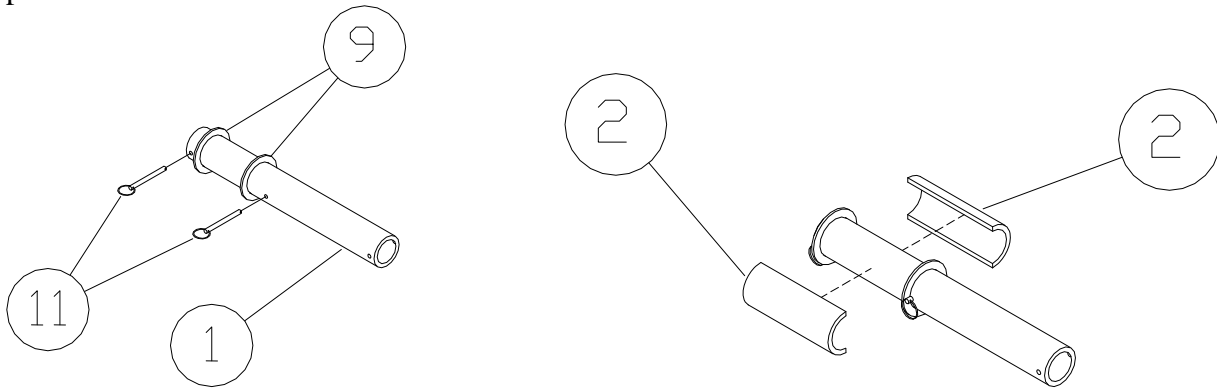
88C WHEEL KIT W/WHEELS
(FITS ALL 2000 - 3000 LIFTS AND 40113 CANTILEVER)
91C WHEEL KIT W/WHEELS (FITS 4000 VERTICAL)

Thank you for purchasing our product!

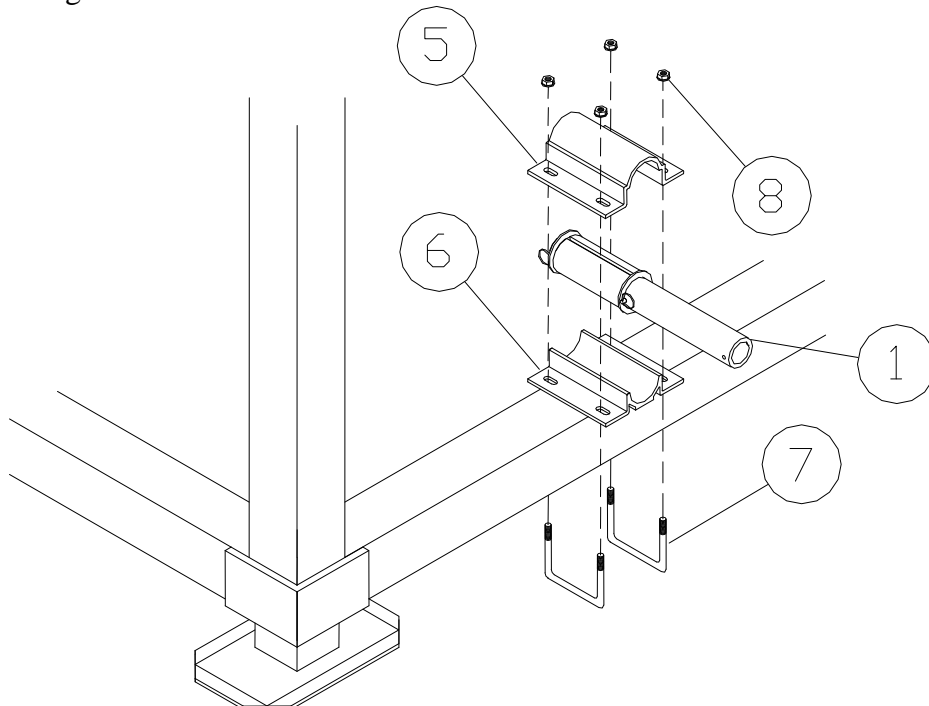
Please read and follow these instructions step by step

STEP 1. Raise the bed of the lift so it is out of the way when installing the wheel kit. With the lift sitting on a level surface adjust the leveling legs on the lift to approximately 6" high.

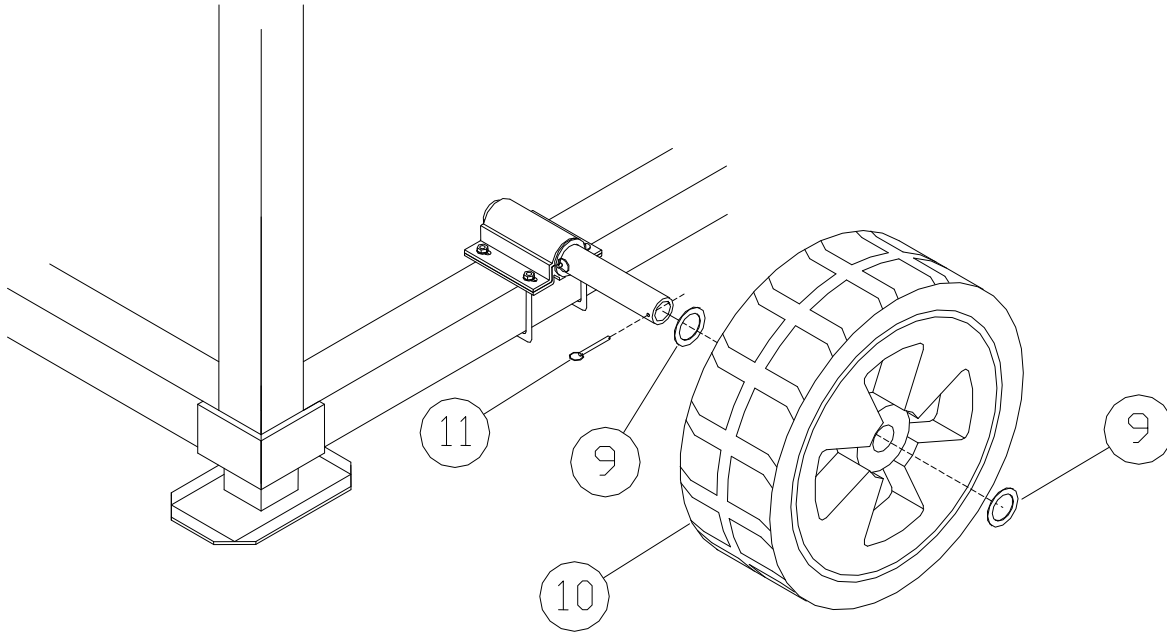
STEP 2. Slide two 3" washers (**REF. #9**) onto the axle shaft. Place a 1/4" pin (**REF. #11**) through the holes in the shaft that are six inches apart making sure that the washers are between the two pins. Press the two halves of the PVC bushing (**REF. #2**) onto the shaft between the two pins.



STEP 3. Fasten the assembled stub axle and saddle plates (**REF. #5 & 6**) to the bottom side tube of the side member with 7/16" U-bolts, washers, and nuts (**REF. #7, 20, & 19**) as shown. Leave nuts loose at this time. Align the axle so that it is parallel with the bottom tube of the lift side member. Tighten nuts at this time.



STEP 4. Slide a 3” spacer washer (**REF. 9**) onto the stub axle, then the tire (**REF. #10**), and another 3” washer (**REF. #9**). Secure in place with a pin (**REF. #11**).



CAUTION: The weight of the lift must be supported by the leveling legs before the lift is used.

WHEEL KIT PARTS LIST

REF #	PART #	DESCRIPTION	88C QTY	91C QTY
1	61059	STUB AXLE	2	2
4	0720	PVC BUSHING	4	4
5	80250	TOP SADDLE PLATE	2	2
6	80251	BOTTOM SADDLE PLATE	2	2
7	5048	U-BOLT SQ. 7/16" X 3 1/16" X 4"	4	-
	5047	U-BOLT SQ. 7/16" X 3 9/16" X 3 1/2"	4	-
	5104	U-BOLT SQ. 7/16" X 3 9/16" X 4 9/16"	-	4
8	5158	7/16" FLANGE NUT	8	8
9	5077	3" WASHER	8	8
10	4002	PLASTIC TIRE MOLDED	2	2
11	5245	1/4" PIN	6	6