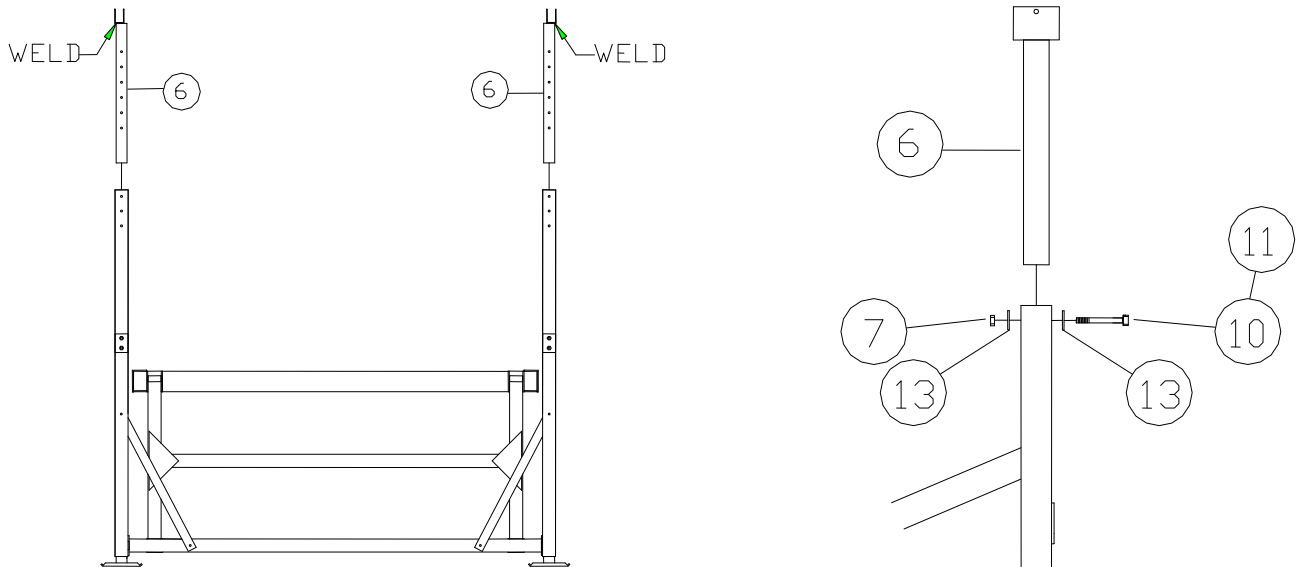


## **PORTA-LIFT CANOPY TOP** **1155, 1265, 1284, AND 36114**

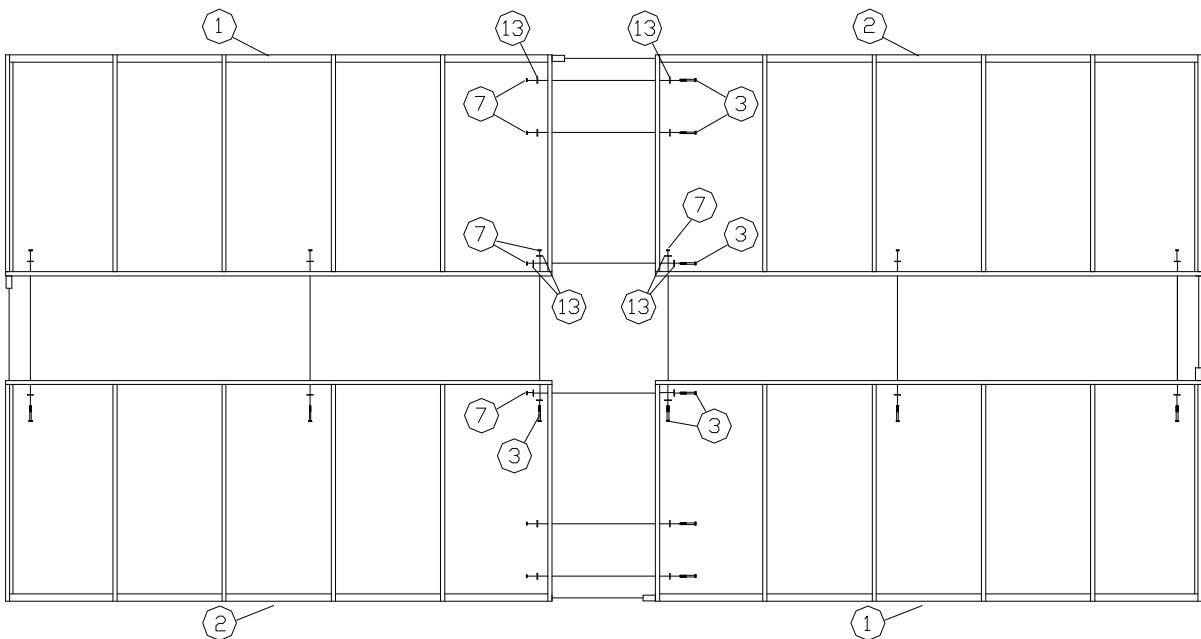
**Thank you for purchasing our product!**  
**\*Please read these instructions and follow them step by step.\***

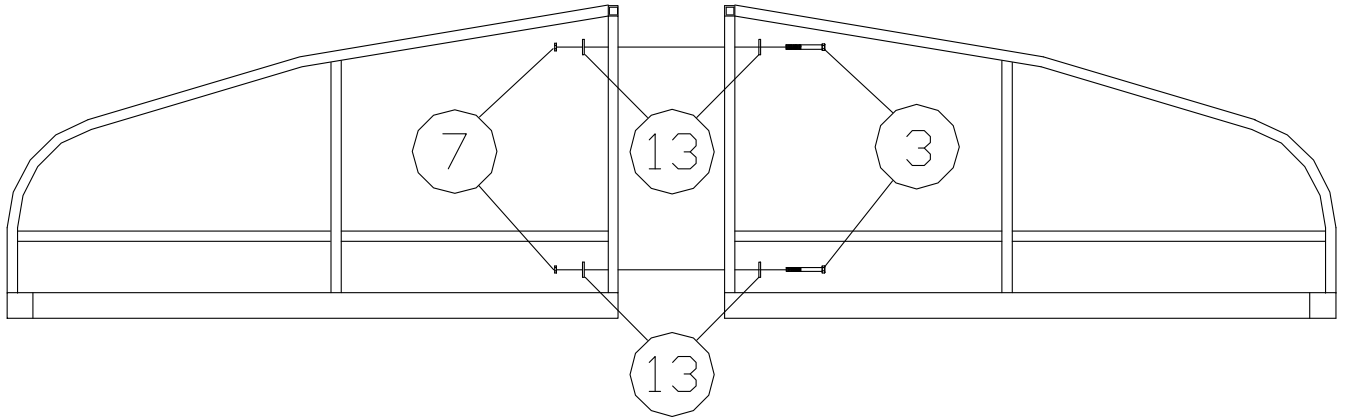
**Caution-- If installing or adjusting a canopy mounting bracket on a lift with an existing winch the bed must be lowered with the load removed from the bed before the winch is taken off.**

**Step 1.** Set the four canopy mounting brackets (**REF. # 6**) into the top of each vertical upright of the side member so that the weld on the side of the channel is to the outside of the lift. Set to desired height using bolts, washers, & nuts (**REF. # 10, 13, & 7**).

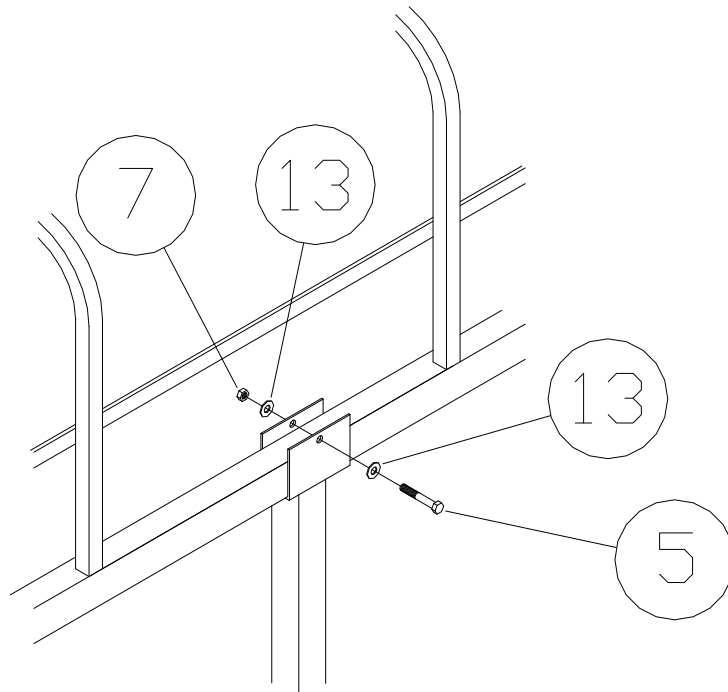


**Step 2.** Set the four canopy sections together with the two stubbed sections (1265 canopy sections do not have stubs) (**REF. # 1**) in opposite corners. Slide the stubbed ends into the open-end tube sections (**REF. # 2**) and bolt with 3/8" X 2 1/2" bolts, washers, & nuts (**REF. # 3, 13, & 7**). **NOTE: 1265 models will have four fewer bolting locations than the larger canopy shown in the instruction.**





**Step 3.** Set the canopy into the four mounting brackets and adjust to desired location. Place a 3/8" X 2 1/2" bolt (REF. # 5) through the holes in the canopy mounting bracket and secure with 3/8" washers and nut (REF. # 13 & 7). **Note:** 1265 models use 5/16" X 2 1/4" bolts, washers, and nuts. 1155 models use 5/16 X 2 1/2" bolts, washers, and nuts.



## CANOPY FRAME PARTS LISTS

### CF06 CANOPY FRAME 65" X 12' W/O VINYL

REF. NO.	PART NO.	DESCRIPTION	QTY
1	71A	CANOPY FRAME RIGHT 6' X 65"	2
2	70A	CANOPY FRAME LEFT 6' X 65"	2

### CF08 CANOPY FRAME 113" X 14' W/O VINYL

REF. NO.	PART NO.	DESCRIPTION	QTY
1	89A	CANOPY FRAME STUBBED 6' X 114"	1
	90A	CANOPY FRAME STUBBED 8' X 114"	1
2	89C	CANOPY FRAME PLAIN 6' X 114"	1
	100C	CANOPY FRAME PLAIN 8' X 114"	1

### CF10 CANOPY FRAME 84" X 20' W/O VINYL

REF. NO.	PART NO.	DESCRIPTION	QTY
1	32U	CANOPY FRAME STUBBED 84"	2
2	31U	CANOPY FRAME PLAIN 84"	2

## CANOPY UPRIGHT AND HARDWARE PARTS LISTS

### PB206 CANOPY UPRIGHTS & ASSEMBLY HARDWARE 1265

REF. NO.	PART NO.	DESCRIPTION	QTY
3	5083	3/8" X 2 1/2" BOLT	20
	5147	5/16" X 2 1/2" BOLT	4
6	08E	CANOPY MOUNTING BRACKET 1265	4
7	5056	3/8" NUT	20
	5054	5/16" NUT	4
13	5070	3/8" WASHER	40
	5068	5/16" WASHER	8

### 59D CANOPY UPRIGHTS & ASSEMBLY HARDWARE 1155 & 1284 MODELS

REF. NO.	PART NO.	DESCRIPTION	QTY
3	5083	3/8" X 2 1/2" BOLT	20
6	12U	CANOPY MOUNTING BRACKET 1155 & 1284	4
7	5056	3/8" NUT	20
13	5070	3/8" WASHER	40

### 52U CANOPY UPRIGHTS & ASSEMBLY HARDWARE OLD 2000C MODELS

<b>REF. NO.</b>	<b>PART NO.</b>	<b>DESCRIPTION</b>	<b>QTY</b>
3	5083	3/8" X 2 1/2" BOLT	20
6	28U	CANOPY MOUNTING BRACKET (2000C)	4
7	5056	3/8" NUT	23
10	5084	3/8" X 3" BOLT	3
13	5070	3/8" WASHER	46

### 41U CANOPY UPRIGHTS & ASSEMBLY HARDWARE 36114 MODELS

<b>REF. NO.</b>	<b>PART NO.</b>	<b>DESCRIPTION</b>	<b>QTY</b>
3	5083	3/8" X 2 1/2" BOLT	20
6	28U	CANOPY MOUNTING BRACKET (SMALL)	2
	29U	CANOPY MOUNTING BRACKET (LARGE)	2
7	5056	3/8" NUT	23
10	5084	3/8" X 3" BOLT	2
	5090	3/8" X 5" BOLT	1
13	5070	3/8" WASHER	46