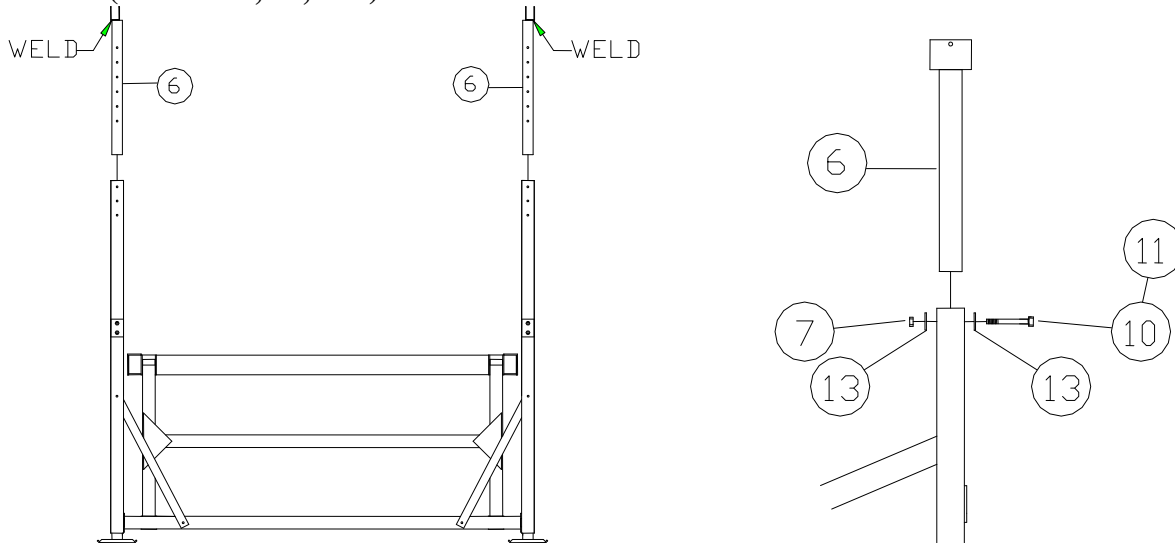


PORTA-LIFT CANOPY TOP

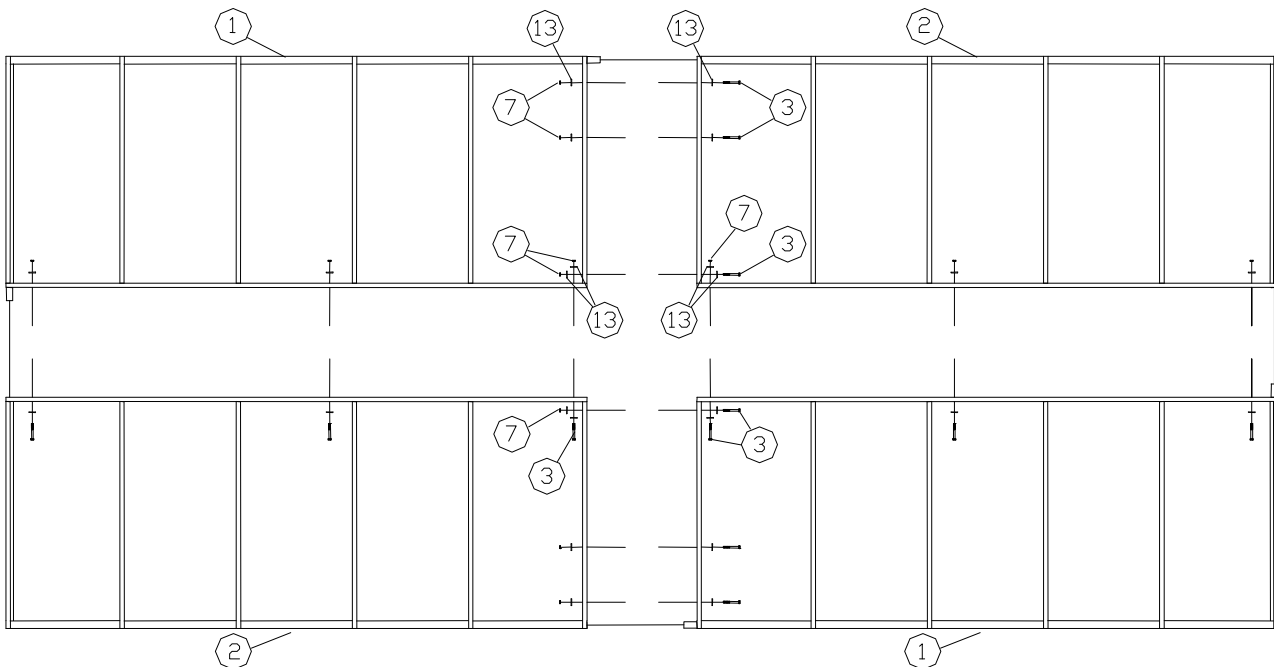
Thank you for purchasing our product!
Please read these instructions and follow them step by step.

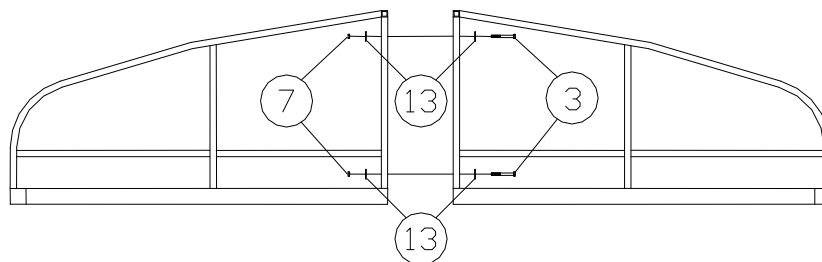
Caution-- If installing or adjusting a canopy mounting bracket on a lift with an existing chain drive winch with mounting tabs, make sure there is no load on the lift before removing the top bolt from the winch. On all other winches the bed must be lowered with the load removed from the bed before the winch is taken off.

Step 1. Set the four canopy mounting brackets (**REF. # 6**) into the top of each vertical upright of the side member so that the weld on the side of the channel is to the outside of the lift. Set to desired height using bolts, washers, and nuts (**REF. # 10, 13, & 7**).

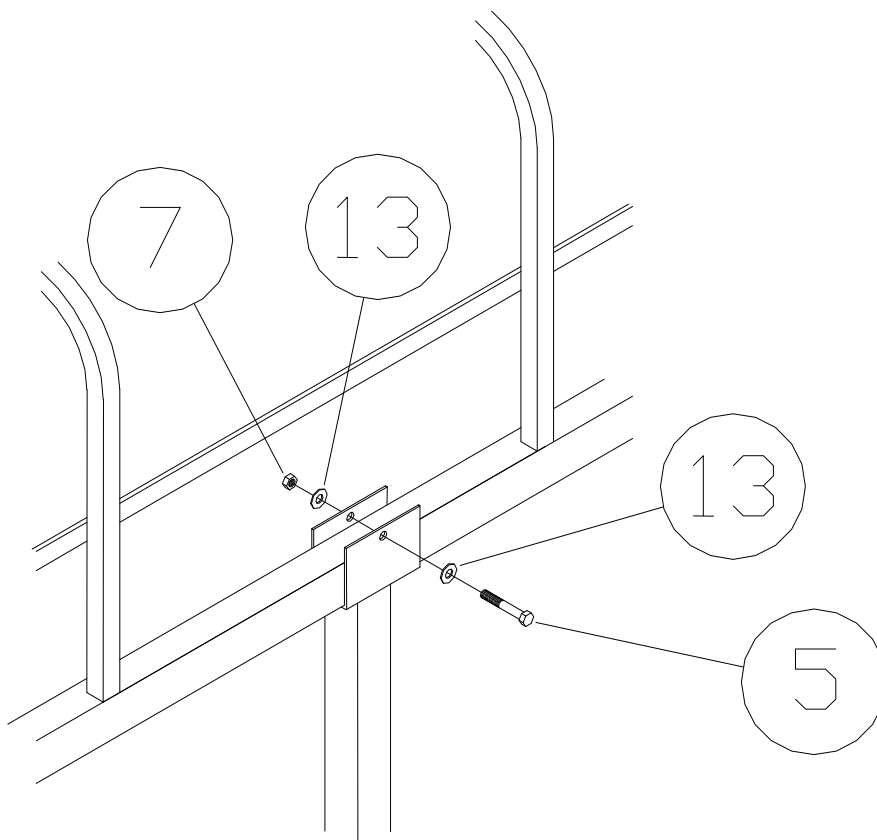


Step 2. Set the four canopy sections together with the two stubbed sections (1265 canopy sections do not have stubs) (**REF. # 1**) in opposite corners. Slide the stubbed ends into the open-end tube sections (**REF. # 2**) and bolt with 3/8" X 2 1/2" bolts, washers, and nuts (**REF. # 3, 13, & 7**). **NOTE: 1265 models will have four fewer bolting locations than the larger canopy shown in the instruction.**





Step 3. Set the assembled canopy into the four mounting brackets and adjust to desired location. Place a 3/8" X 2 1/2" bolt (**REF. # 5**) through the holes in the canopy mounting bracket and secure with 3/8" washers and nut (**REF. # 13 & 7**).



CANOPY FRAME PARTS LISTS

CF12 CANOPY FRAME 95" X 20' W/O VINYL

REF. NO.	PART NO.	DESCRIPTION	QTY
1	34U	CANOPY FRAME STUBBED 96"	2
2	33U	CANOPY FRAME PLAIN 96"	2

CF14 CANOPY FRAME 95" X 22' W/O VINYL

REF. NO.	PART NO.	DESCRIPTION	QTY
1	34U	CANOPY FRAME STUBBED 96"	2
2	33U	CANOPY FRAME PLAIN 96"	2
*	68B	CANOPY FRAME 2' X 96" EXTENTION	2

CF16 CANOPY FRAME 113" X 22' W/O VINYL

REF. NO.	PART NO.	DESCRIPTION	QTY
1	93A	CANOPY FRAME STUBBED 11' X 114"	2
2	93C	CANOPY FRAME PLAIN 11' X 114"	2

CF18 CANOPY FRAME 113" X 24' W/O VINYL

REF. NO.	PART NO.	DESCRIPTION	QTY
1	93A	CANOPY FRAME STUBBED 11' X 114"	1
	92A	CANOPY FRAME STUBBED 13' X 114"	1
2	93C	CANOPY FRAME PLAIN 11' X 114"	1
	92C	CANOPY FRAME PLAIN 13' x 114"	1

CF20 CANOPY FRAME 113" X 26' W/O VINYL

REF. NO.	PART NO.	DESCRIPTION	QTY
1	92A	CANOPY FRAME STUBBED 13' X 114"	2
2	92C	CANOPY FRAME PLAIN 13' X 114"	2

CF22 CANOPY FRAME 113" X 28' W/O VINYL

REF. NO.	PART NO.	DESCRIPTION	QTY
1	92A	CANOPY FRAME STUBBED 13' X 114"	1
	97A	CANOPY FRAME STUBBED 15' X 114"	1
2	92C	CANOPY FRAME PLAIN 13' X 114"	1
	91A	CANOPY FRAME PLAIN 15' X 114"	1
*	36R	CANOPY BRACE (PAIR)	1

CF24 CANOPY FRAME 113'' X 30' W/O VINYL

REF. NO.	PART NO.	DESCRIPTION	QTY
1	97A	CANOPY FRAME STUBBED 15' X 114''	2
2	91A	CANOPY FRAME PLAIN 15' X 114''	2
*	36R	CANOPY BRACE (PAIR)	1

CF26 CANOPY FRAME 120'' X 22' W/O VINYL

REF. NO.	PART NO.	DESCRIPTION	QTY
1	94A	CANOPY FRAME STUBBED 11' X 120''	2
2	94C	CANOPY FRAME PLAIN 11' X 114''	2

CF28 CANOPY FRAME 120'' X 24' W/O VINYL

REF. NO.	PART NO.	DESCRIPTION	QTY
1	94A	CANOPY FRAME STUBBED 11' X 120''	1
	95A	CANOPY FRAME STUBBED 13' X 120''	1
2	94C	CANOPY FRAME PLAIN 11' X 120''	1
	96A	CANOPY FRAME PLAIN 13' X 120''	1

CF30 CANOPY FRAME 120'' X 26' W/O VINYL

REF. NO.	PART NO.	DESCRIPTION	QTY
1	95A	CANOPY FRAME STUBBED 13' X 120''	2
2	96A	CANOPY FRAME PLAIN 13' X 120''	2

CF32 CANOPY FRAME 120'' X 28' W/O VINYL

REF. NO.	PART NO.	DESCRIPTION	QTY
1	95A	CANOPY FRAME STUBBED 13' X 120''	1
	99A	CANOPY FRAME STUBBED 15' X 120''	1
2	96A	CANOPY FRAME PLAIN 13' X 120''	1
	98A	CANOPY FRAME PLAIN 15' X 120''	1
*	36R	CANOPY BRACE (PAIR)	1

CF34 CANOPY FRAME 120'' X 30' W/O VINYL

REF. NO.	PART NO.	DESCRIPTION	QTY
1	99A	CANOPY FRAME STUBBED 15' X 120''	2
2	98A	CANOPY FRAME PLAIN 15' X 120''	2
*	36R	CANOPY BRACE (PAIR)	1

55D CANOPY UPRIGHTS & ASSEMBLY HARDWARE 2000 MODELS

REF. NO.	PART NO.	DESCRIPTION	QTY
3	5083	3/8" X 2 1/2" BOLT	20
6	19E	CANOPY MOUNTING BRACKET (2000)	4
7	5056	3/8" NUT	23
10	5084	3/8" X 3" BOLT	3
13	5070	3/8" WASHER	46

55DEX CANOPY UPRIGHTS & ASSEMBLY HARDWARE 2000 MODELS

REF. NO.	PART NO.	DESCRIPTION	QTY
3	5083	3/8" X 2 1/2" BOLT	26
6	19E	CANOPY MOUNTING BRACKET (2000)	4
7	5056	3/8" NUT	29
10	5084	3/8" X 3" BOLT	3
13	5070	3/8" WASHER	58

20U CANOPY UPRIGHTS & ASSEMBLY HARDWARE 3000V-4000V MODELS

REF. NO.	PART NO.	DESCRIPTION	QTY
3	5083	3/8" X 2 1/2" BOLT	20
6	32E	CANOPY MOUNTING BRACKET (4000C & 4600V)	4
7	5056	3/8" NUT	23
10	5085	3/8" X 3 1/2" BOLT	3
13	5070	3/8" WASHER	46

21U CANOPY UPRIGHTS & ASSEMBLY HARDWARE 4600V/4000C MODELS

REF. NO.	PART NO.	DESCRIPTION	QTY
3	5083	3/8" X 2 1/2" BOLT	20
6	22U	CANOPY MOUNTING BRACKET (4000C & 4600V)	4
7	5056	3/8" NUT	23
10	5089	3/8" X 4" BOLT	3
13	5070	3/8" WASHER	46

45D CANOPY UPRIGHTS & ASSEMBLY HARDWARE 6000V MODELS

REF. NO.	PART NO.	DESCRIPTION	QTY
3	5083	3/8" X 2 1/2" BOLT	20
6	31E	CANOPY MOUNTING BRACKET (6000V)	4
7	5056	3/8" NUT	20
	5058	1/2" NUT	4
10	5114	1/2" X 5" BOLT	4
13	5070	3/8" WASHER	40
	5071	1/2" WASHER	8

*THE INSTRUCTIONS FOR THE 36R ARE INCLUDED WITH THAT PART

Porta-Dock, Inc.