

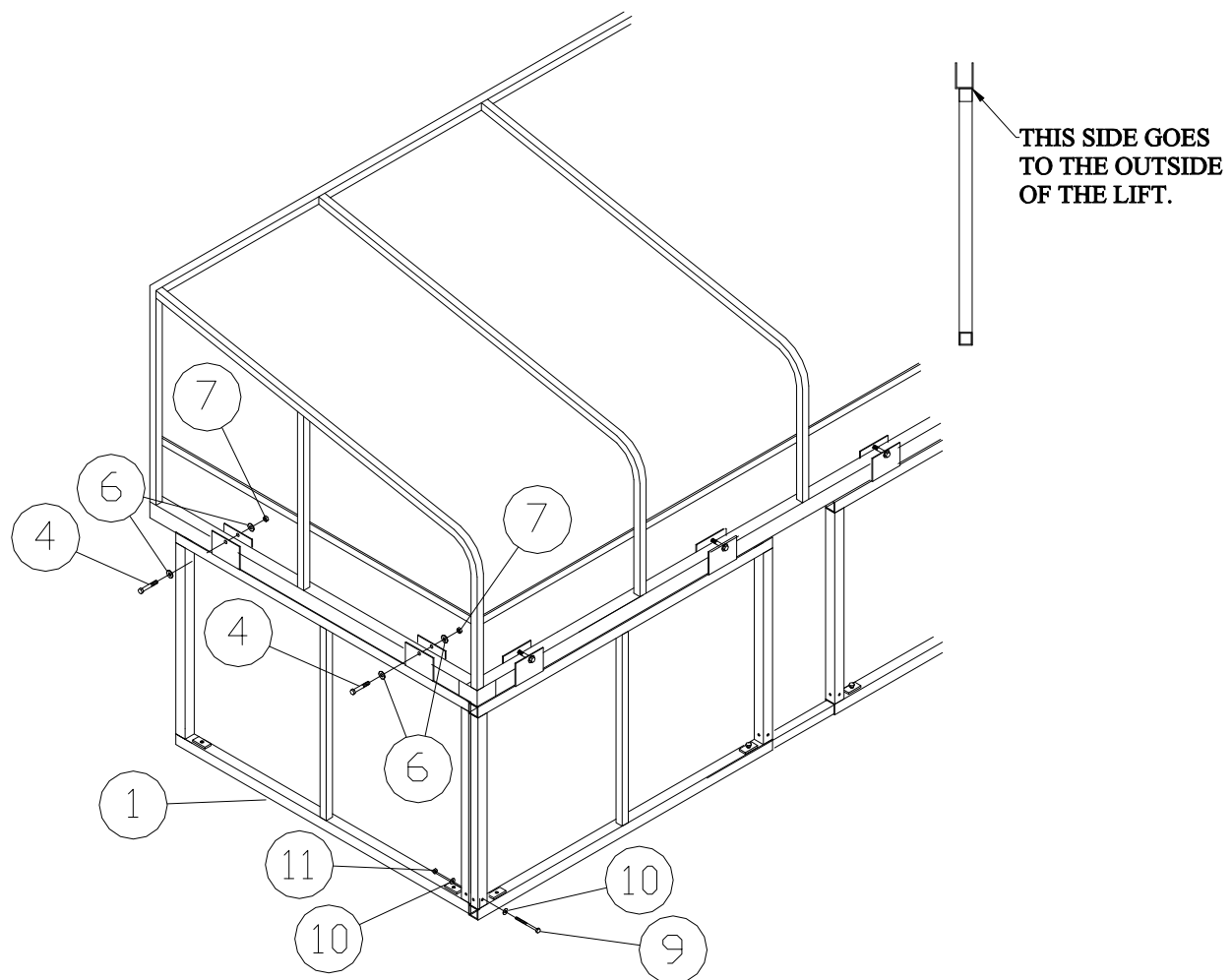
PORTA-DOCK INC. CANOPY EXTENSION END FRAMES

Thank you for purchasing our product!

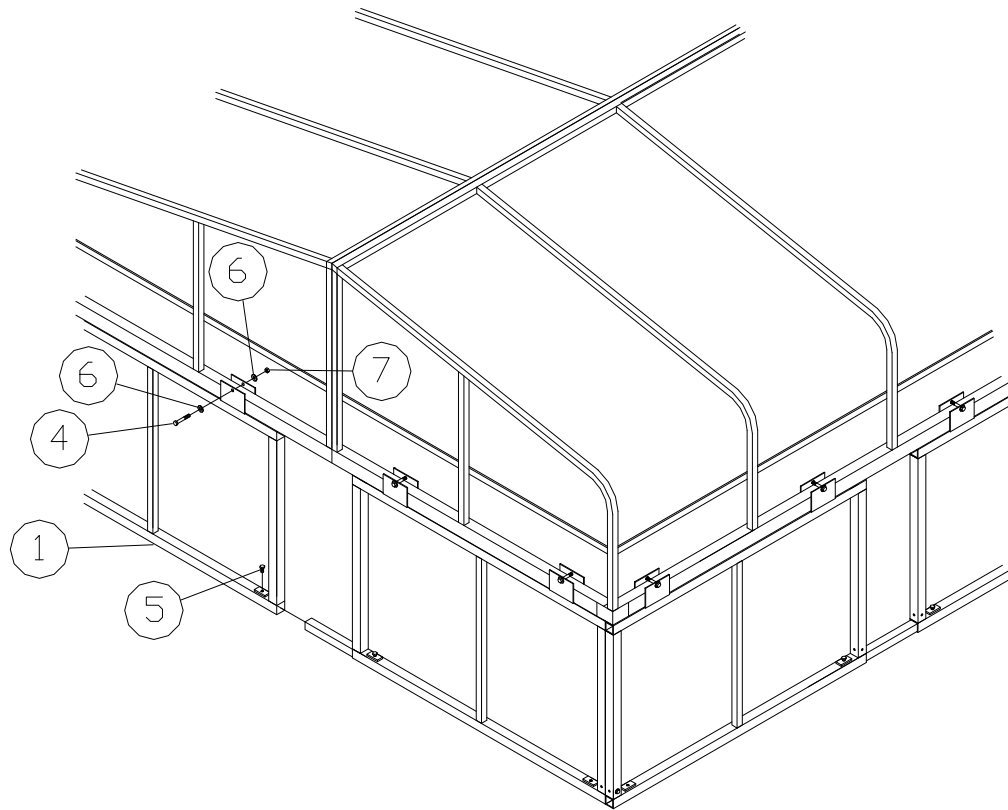
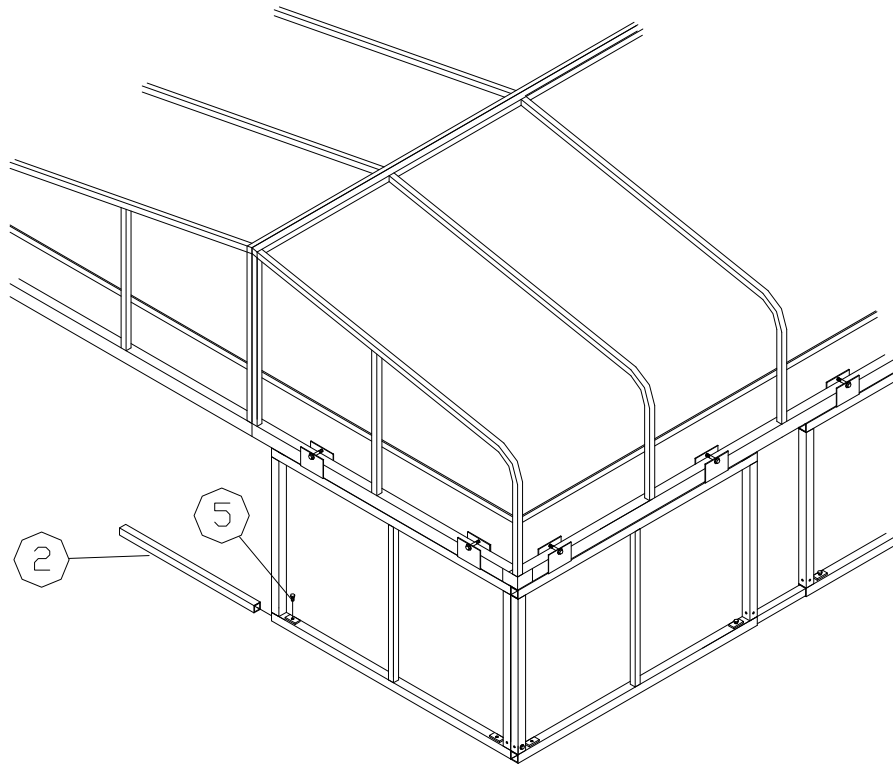
Please read these instructions and follow them step by step.

Note: The channel on the top of the extension frame is offset. The side of the frame where the angle is offset less will be to the outside of the lift as shown on the end view.

Step 1. If using side frames with this end frame, the side frames must be installed on the canopy frame first. Install the first section by bolting it to the bottom rail of the canopy frame with 3/8" X 2" bolts, 3/8" washers, and 3/8" nuts, making sure it is up tight to the end frame. Bolt the bottom of the end frame to the bottom of the side frame as shown with 1/4" X 3 1/2" bolts, washers, and nuts.



Step 3. Slide a connecting tube into the bottom tube of the extension frame that was previously installed. Bolt the next extension frame to the bottom of the canopy frame. Slide the brace tube from the previously installed frame and into the frame that was just installed and secure with a 3/8" X 3/4" bolt.



CD113 CANOPY DROP FRAME 113" END

REF. NO.	PART NO.	DESCRIPTION	QTY
1	72R	CANOPY DROP FRAME EXTENSION 48"	2
2	0993	AL TB 1.25 X 1.25 X 30" CONNECTING TUBE	1
4	5083	3/8" X 2 1/2" BOLT	4
5	5189	3/8" X 3/4" BOLT	2
6	5070	3/8" WASHER	8
7	5056	3/8" NUT	4
8	3816	SQUARE CAP 1 1/2" ID BLACK PLUG	4
9		1/4" BOLT	2
10	5075	1/4" WASHER	2
11	5055	1/4" NUT	2

CD120 CANOPY DROP FRAME 120" END

REF. NO.	PART NO.	DESCRIPTION	QTY
1	72R	CANOPY DROP FRAME EXTENSION 48"	1
	74R	CANOPY DROP FRAME EXTENSION 68"	1
2	0993	AL TB 1.25 X 1.25 X 30" CONNECTING TUBE	1
4	5083	3/8" X 2 1/2" BOLT	4
5	5189	3/8" X 3/4" BOLT	2
6	5070	3/8" WASHER	8
7	5056	3/8" NUT	4
8	3816	SQUARE CAP 1 1/2" ID BLACK PLUG	4
9		1/4" BOLT	2
10	5075	1/4" WASHER	2
11	5055	1/4" NUT	2

Porta-Dock, Inc.