

PORTA-DOCK, INC.

APM58 MULTI-DOCK 4' ALUMINUM RAMP

APM59 MULTI-DOCK 8' ALUMINUM RAMP

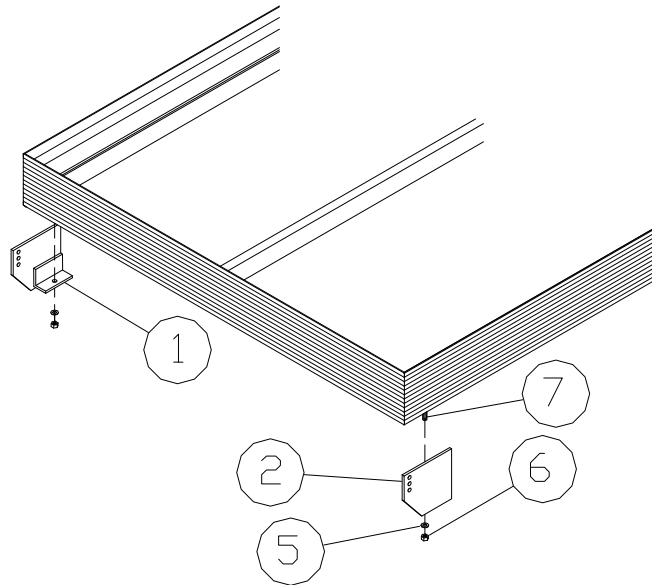
AWM58 MULTI-DOCK 4' CEDAR RAMP

AWM59 MULTI-DOCK 8' CEDAR RAMP

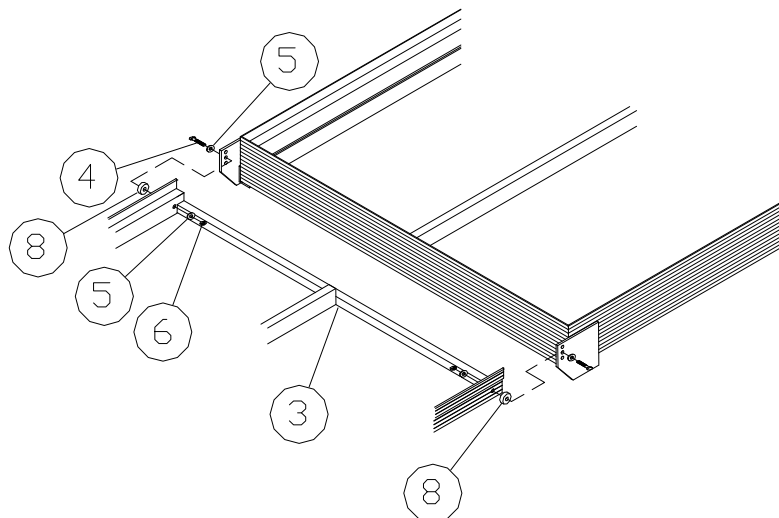
Thank you for purchasing our product.

***Please read these instructions and follow them step by step.**

STEP 1. Bolt the ramp brackets (**Ref. # 1 & 2**) to the bottom of the sides of the dock by sliding two 3/8" X 1" carriage bolts (**Ref. # 7**) into the access holes in the bottom of the side of the frame, and bolting the ramp brackets (**Ref. # 1 & 2**) to them as shown using 3/8" washers and nuts (**Ref. # 5 & 6**). NOTE: The edge of the angle should be flush with the face of the dock.



STEP 2. Place the end of the ramp section (**Ref. # 3**) with the holes, between the two mounting brackets and aluminum spacers (**Ref. # 8**), fasten to brackets with 3/8" X 2 1/2" bolts, washers and nuts (**Ref. # 4, 5, & 6**). Use the holes where the top of the ramp will line up with the top of the dock.



NOTE: On APM models, run foam tape on the top sides of the ramp.

APM58 MULTI-DOCK 4' ALUMINUM RAMP
APM59 MULTI-DOCK 8' ALUMINUM RAMP
AWM58 MULTI-DOCK 4' CEDAR RAMP
AWM59 MULTI-DOCK 8' CEDAR RAMP

REF. #	Part #	Description	4'8'	
1	46R	MULTI-DOCK RAMP BRACKET LEFT	1	1
2	48R	MULTI-DOCK RAMP BRACKET RIGHT	1	1
3	B47	RAMP FRAME 4'X4'	1	-
	B86	RAMP FRAME 4'X8'	-	1
4	5083	3/8" X 2 1/2" BOLT	2	2
5	5070	3/8" WASHER	6	6
6	5056	3/8" NUT	4	4
7	5193	3/8" CARRIAGE BOLT	2	2
8	0605	ALUMINUM SPACER	2	2
	4108	FOAM TAPE 16' - APD ONLY	1	2
	B53	CEDAR PANEL 4' STRAIGHT	1	2
	B86	ALUMINUM PANEL 4' STRAIGHT	1	2