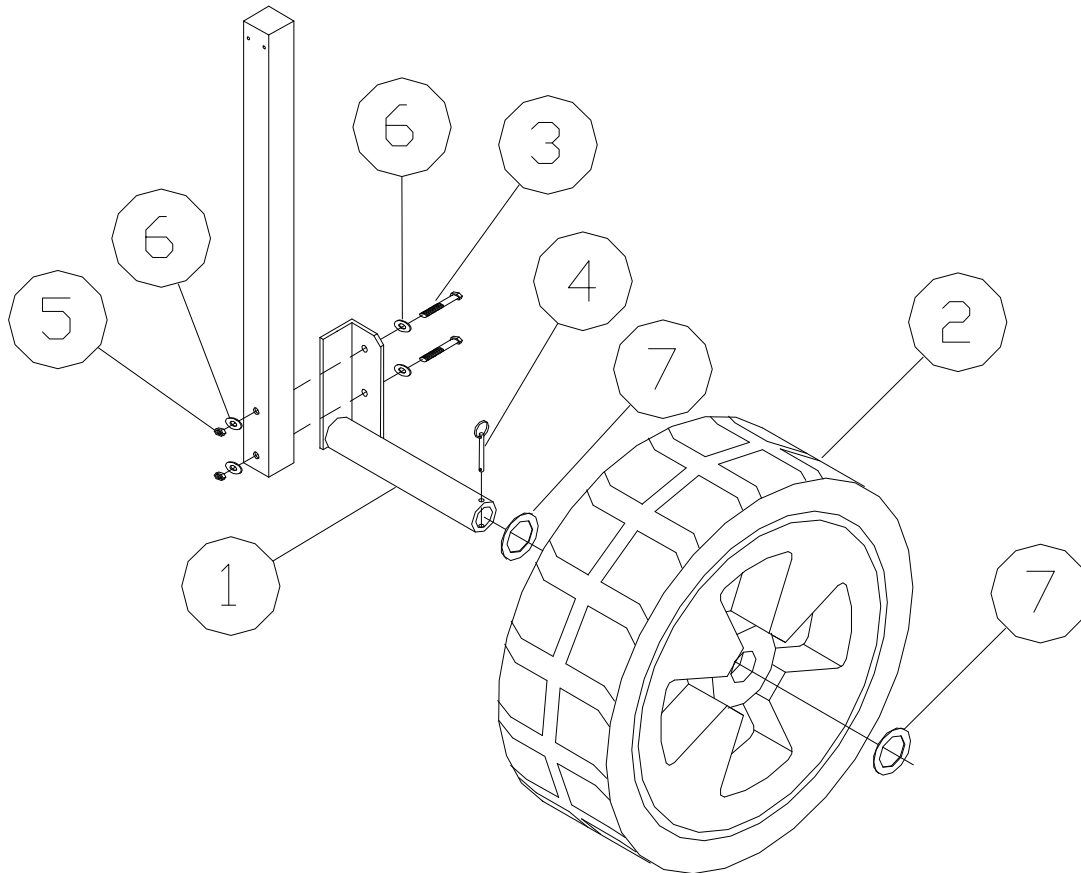


**PORTA-DOCK, INC.**  
**L98 MULTI-DOCK POST WHEEL KIT**

**Thank you for purchasing our product!**  
**\*Please read these instructions and follow them step by step.**

**Step 1.** Bolt the wheel kit axle bracket (**REF. # 1**) to the leg as shown using 3/8" X 3" bolts, washers, and nuts (**REF. # 3, 6, & 5**). Slide a 3" washer (**REF. # 7**) onto the axle shaft then slide on the wheel (**REF. # 2**) and the other 3" washer (**REF. # 7**). Secure in place with a 1/4" X 2 1/2" pin (**REF. # 4**). **NOTE:** If a boat lift will be sitting where the wheel is located, reverse the axle bracket so the wheel will be under the dock.



**L98 MULTI-DOCK POST WHEEL KIT**

<b>REF. #</b>	<b>PART #</b>	<b>DESCRIPTION</b>	<b>QTY</b>
1	31G	WHEEL KIT AXLE BRACKET	1
2	4002	PLASTIC WHEEL	1
3	5084	BOLT 3/8" X 3"	2
4	5245	PIN 1/4" X 2 1/2"	1
5	5056	3/8" NUT	2
6	5070	3/8" WASHER	4
7	5077	3" WASHER	2