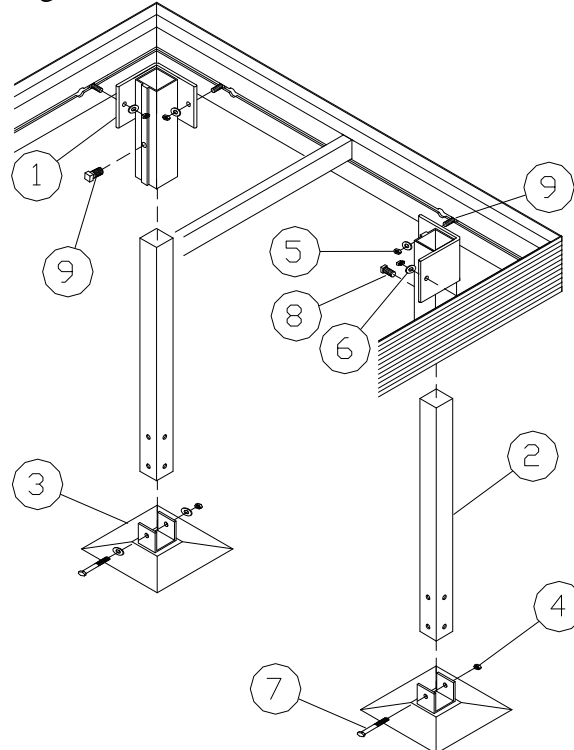


**PORTA-DOCK, INC.****C139 10" multi-dock adjustable pocket (pair)****C139S 10" multi-dock adjustable pocket (single)****Thank you for purchasing our product!****\*Please read these instructions and follow them step by step.**

**STEP 1.** If installing swivel pads (**REF. # 3**) bolt them to the legs with 3/8" X 3 Bolts, washers, and locknuts (**REF. # 7, 6, & 4**). If installing a wheel kit refer to those instructions and install at this time. Slide the leg (**REF. # 2**) into the pocket (**REF. # 1**) and secure with a set screw (**REF. # 8**). Bolt the pockets into the frame by sliding 3/8" X 1" carriage bolts (**REF. # 9**) into the access holes in the frame at the corners where the pockets will go. Slide the holes in the angle on the pocket over the carriage bolts and secure with 3/8" washers and nuts (**REF. # 6 & 5**).



**C139 10" multi-dock adjustable pocket (pair)**  
**C139S 10" multi-dock adjustable pocket (single)**

<b>REF. #</b>	<b>PART #</b>	<b>DESCRIPTION</b>	<b>QTY</b>
1	10L	10" MULTI DOCK POCKET	2
2	P16	16" LEVELING LEG	
	P24	2' LEVELING LEG	
	P36	3' LEVELING LEG	
	P48	4' LEVELING LEG	
	P60	5' LEVELING LEG	
	P72	6' LEVELING LEG	
3	P11	SWIVEL PAD	2
4	5038	3/8" NYLOCK NUT	2
5	5056	3/8" NUT	4
6	5070	3/8" WASHER	4
7	5084	3/8" X 3" BOLT	2
8	5170	1/2" X 3/4" SET SCREW	2
9	5193	3/8" X 1" CARRIAGE BOLT	4