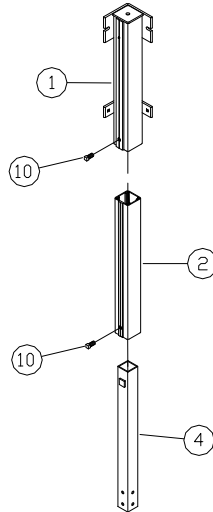
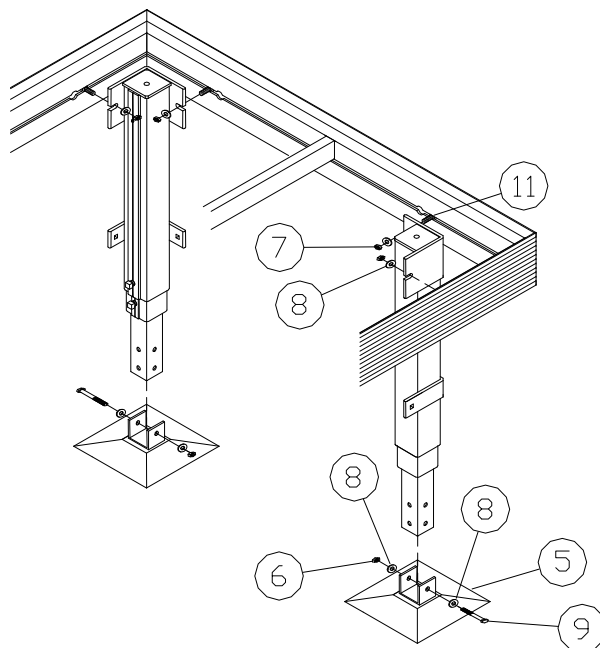


PORTA-DOCK, INC.**C172 16" multi-dock adjustable pocket & braces (pair)****C172S 16" multi-dock adjustable pocket & braces (single)****C174 22" multi-dock adjustable pocket & braces (pair)****C174S 22" multi-dock adjustable pocket & braces (single)****Thank you for purchasing our product!*****Please read these instructions and follow them step by step.**

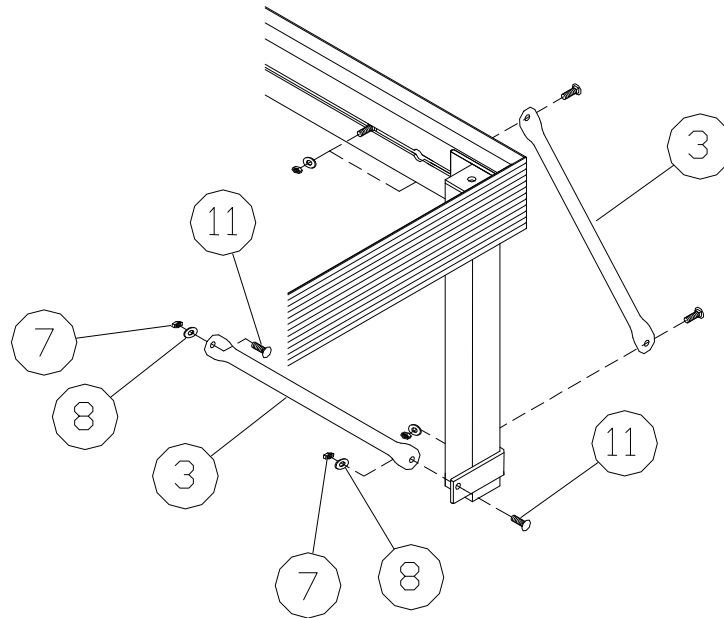
NOTE: Diagrams are shown right side up, but it may be easier to assemble the dock upside down.



STEP 1. If installing swivel pads (**REF. # 5**) bolt them to the legs with 3/8" X 3 Bolts, washers, and locknuts (**REF. # 9, 8, & 6**). If installing a wheel kit refer to those instructions and install at this time. Slide the leg (**REF. # 4**) into the inner pocket (**REF. # 2**) and secure with a set screw (**REF. # 10**). Slide the inner pocket and leg into the outer pocket (**REF. # 1**) and secure with a set screw (**REF. # 10**). Bolt the pockets into the frame by sliding 3/8" X 1" carriage bolts (**REF. # 11**) into the access holes in the frame at the corners where the pockets will go. Slide the holes in the angle on the pocket over the carriage bolts and secure with 3/8" washers and nuts (**REF. # 8 & 7**).



STEP 2. Bolt the braces (**REF. # 3**) to the bottom angles of the pocket with 3/8" X 1" carriage bolts, washers, and nuts (**REF. # 11, 8, & 7**) Bolt the other ends of the braces to the frame by sliding 3/8" X 1" carriage bolts (**REF. # 11**) into the access holes in the frame at the corners where the braces will go and securing with 3/8" washers and nuts (**REF. # 8 & 7**).



C172 16" multi-dock adjustable pocket & braces (pair)
C172S 16" multi-dock adjustable pocket & braces (single)
C174 22" multi-dock adjustable pocket & braces (pair)
C174S 22" multi-dock adjustable pocket & braces (single)

REF. #	PART #	DESCRIPTION	QTY
1	C154	22" OUTER POCKET	2
	C152	16" OUTER POCKET	2
2	70250	24" INNER POCKET	2
	70252	17" INNER POCKET	2
3	60158	19" BRACE	4
4	P16	16" LEVELING LEG	
	P24	2' LEVELING LEG	
	P36	3' LEVELING LEG	
	P48	4' LEVELING LEG	
	P60	5' LEVELING LEG	
	P72	6' LEVELING LEG	
5	P11	SWIVEL PAD	2
6	5038	3/8" NYLOCK NUT	2
7	5056	3/8" NUT	12
8	5070	3/8" WASHER	12
9	5084	3/8" X 3" BOLT	2
10	5170	1/2" X 3/4" SET SCREW	4
11	5193	3/8" X 1" CARRIAGE BOLT	12