

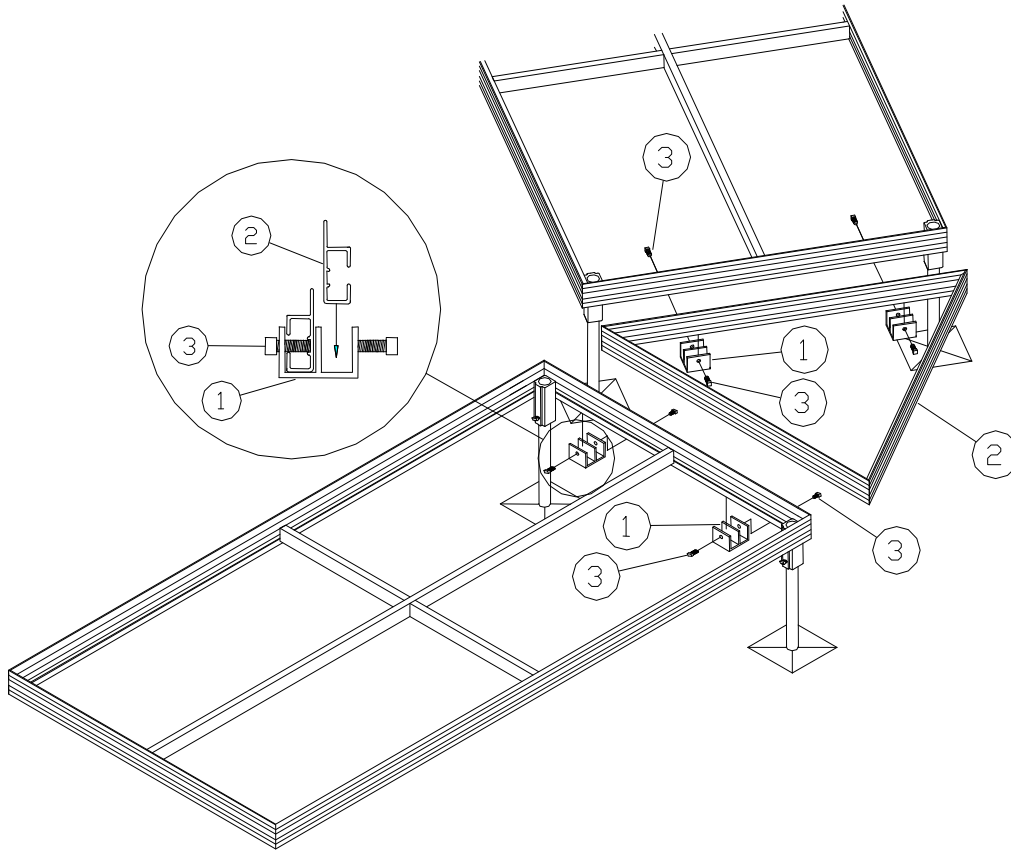
**PORTA-DOCK, INC.**

**L17 ACPD 4' TRI SECTION**  
**L12(B) APPD 4' TRI SECTION**  
**L19 ACPD 5' TRI SECTION**  
**L18(B) APPD 5' TRI SECTION**

**Thank you for purchasing our product.  
 Please read these instructions and follow them step by step.**

**NOTE: For APPD sections only, run foam tape on outside and inside of frame.**

**STEP 1.** Take the two post dock connector brackets (**REF. # 1**) and attach to the lake end of the post dock frame with 1/2" X 2" set screws (**REF. # 3**) as shown in diagram. Slide the tri section frame (**REF. # 2**) into the connector brackets and secure with 1/2" X 2" set screws. Bolt two connector brackets to the tri section frame with 1/2" X 2" set screws (**REF. # 3**) on the side where the next dock will connect. Slide the four pocket dock into the connector brackets and secure with 1/2" X 2" set screws (**REF. # 3**). Install the panel (**REF. # 5**) by placing the end with the long panel into the frame first and then lowering the rest of the panel into place.



<b>REF. #</b>	<b>Part #</b>	<b>Description</b>	<b>4'</b> <b>Qty</b>	<b>5'</b> <b>Qty</b>
1	30052	POST DOCK CONNECTOR BRACKET	2	2
2	M90	4' POST DOCK TRI SECTION FRAME	1	-
	M92	5' POST DOCK TRI SECTION FRAME	-	1
3	5173	1/2" X 2" SET SCREW	4	4
4	4108	FOAM TAPE 16' - APPD ONLY	1	1
5	BB42(B)	4' ALUMINUM TRI SECTION PANEL	1	-
	BB40	4' CEDAR TRI SECTION PANEL	1	-
	BB28(B)	5' ALUMINUM TRI SECTION PANEL	-	1
	BB41	5' CEDAR TRI SECTION PANEL	-	1