

PORTA-DOCK, INC.**4'POST DOCKS**

A40 ** A11 ** L10 ** L11 ** L22 ** L23 ** L120 ** L122
L140 ** L142 ** L24 ** L32 ** L34 ** L126 ** L144 ** L146 ** L42 ** L33

5'POST DOCKS

L26 ** L25 ** L27 ** L28 ** L29 ** L31 ** L128 ** L130 ** L131
L148 ** L150 ** L20 ** L21 ** L151 ** L132 ** L134 ** L72 ** L71 ** L73

For Beige Decking Add the Letter B to Model

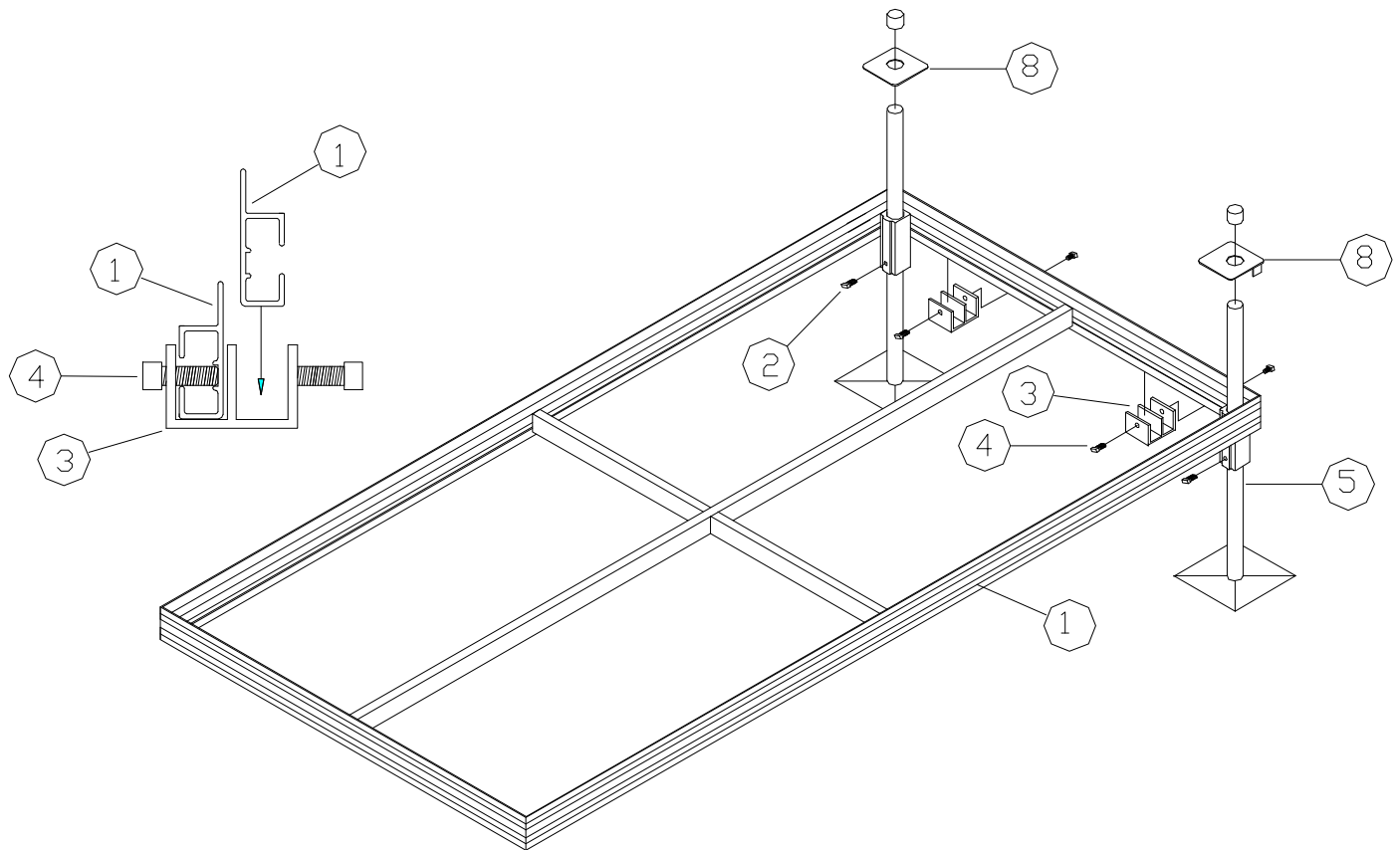
Thank you for purchasing our product!

Please read and follow these instructions step by step

Step 1. Lay section on its side and insert optional dock post (**REF. # 5**) with base to the bottom. Use two 1/2" x 3/4" set screws (**REF. # 2**) into post bracket. Finger tighten. Set section upright. APPD Post Dock only - run the foam tape (**REF. # 6**) on top of both side rails of post dock frame.

Step 2. If not adding additional sections go onto Step 3. If adding another section, use post dock connector brackets (**REF. # 3**). Slip under bottom of section so that the outside edge of the bracket is about 7" from side of frame. Attach with 1/2" x 2" set screws (**REF. # 4**)

Step 3. Adjust posts to desired height and tighten set screws. On APD models, run PVC foam tape on the top edge of the framework. Place cedar or aluminum panels on top of section to complete your post dock section.



NOTE: After the panels are installed on the dock, slide a cover plate (**REF.#8**) down each post and onto the deck. Place a post cap on to each post.

| REF. # | PART # | DESCRIPTION | APD | CPD |
|---------------|---------------|------------------------------|------------|------------|
| 1 | | POST DOCK FRAME | 1 | 1 |
| 2 | 5170 | 1/2" X 3/4" SET SCREW | 2 | 2 |
| 3 | 30052 | POST DOCK CONNECTOR BRACKET | 2 | 2 |
| 4 | 5173 | 1/2" X 2" SET SCREW | 4 | 4 |
| 5 | OPT | 1 1/4" POST AND PAD *** | 2 | 2 |
| 6 | 4108 | PVC TAPE 16' ROLL (APD ONLY) | 2 | - |
| 7 | 3842 | COVER PLATE APPD WHITE | 2 | - |
| | 3844 | COVER PLATE APPD BEIGE | 2 | - |
| | 3843 | COVER PLATE CPPD BROWN | - | 2 |

4' FRAMES

| | |
|-----|------------------------------------|
| B49 | FRAME 4' X 8' 2 POCKET |
| B32 | FRAME 4' X 8' 4 POCKET |
| B38 | FRAME 4' X 8' 2 POCKET (LONG SIDE) |
| M91 | FRAME 4 X 6' 5" 4 POCKET |

5' FRAMES

| | |
|-----|------------------------------------|
| F49 | FRAME 5 X 8' 2 POCKET |
| F32 | FRAME 5' X 8' 4 POCKET |
| F38 | FRAME 5' X 8' 2 POCKET (LONG SIDE) |
| M93 | FRAME 5' X 6' 5" 4 POCKET |

4' PANELS

| | |
|--------|-----------------------------------|
| B86(B) | ALUM. PANEL 4' X 4' STRAIGHT |
| B87(B) | ALUM. PANEL 4' X 4' CUTOUT – APPD |
| B90(B) | ALUM PANEL 4' X 4' L8 RIGHT |
| B89(B) | ALUM. PANEL 4' X 4' L8 LEFT |
| B48 | CEDAR PANEL 4' X 4' STRAIGHT |
| B58 | CEDAR PANEL 4' X 4' CUTOUT – ACPD |
| B39 | CEDAR PANEL 4' X 4' RIGHT CUTOUT |
| B40 | CEDAR PANEL 4' X 4' LEFT CUTOUT |

5' PANELS

| | |
|---------|-----------------------------------|
| B13(B) | ALUM. PANEL 5' X 4' STRAIGHT |
| B42(B) | ALUM. PANEL 5' X 4' CUTOUT – APPD |
| B81 (B) | ALUM PANEL 5' X 4' RIGHT CUTOUT |
| B73 (B) | ALUM PANEL 5' X 4' LEFT CUTOUT |
| BB1 | CEDAR PANEL STRAIGHT – CPPD |
| B00 | CEDAR PANEL CUTOUT – CPPD |
| BB2 | CEDAR PANEL RIGHT CUTOUT – CPPD |
| BB3 | CEDAR PANEL LEFT CUTOUT - CPPD |

*** NOTE: 1 1/4" CAPS COME W/ABOVE OPTIONAL POSTS