

PORTA-DOCK, INC.

4' POST DOCKS (FLUSH POST)

A40F ** A11F ** L10F ** L11F ** L22F ** L23F ** L120F ** L122F
L140F ** L142F ** L24F ** L32F ** L34F ** L126F ** L144F ** L146F ** L42F ** L33F

5' POST DOCKS (FLUSH POST)

L26F ** L25F ** L27F ** L28F ** L29F ** L31F ** L128F ** L130F ** L131F
L148F ** L150F ** L20F ** L21F ** L151F ** L132F ** L134F ** L72F ** L71F ** L73F

For Beige Decking Add the Letter B to Model

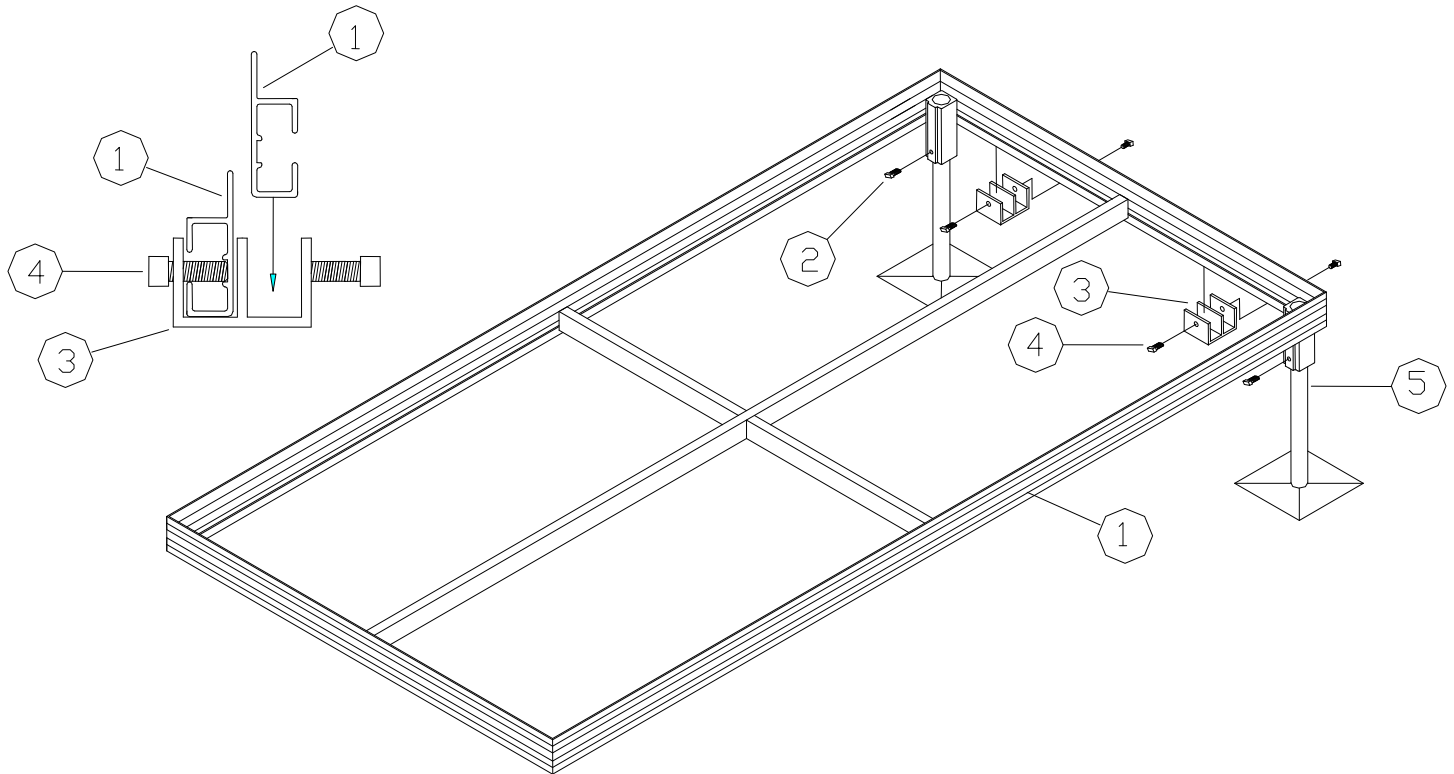
Thank you for purchasing our product!

Please read and follow these instructions step by step

Step 1. Lay section on its side and insert optional dock post (**REF. # 5**) with base to the bottom. Use two 1/2" x 3/4" set screws (**REF. # 2**) into post bracket and finger tighten. Set section upright. APPD Post Dock only - run the foam tape (**REF. # 6**) on top of both side rails of post dock frame.

Step 2. If not adding additional sections go onto Step 3. If adding another section, use post dock connector brackets (**REF. # 3**). Slip under bottom of section so that the outside edge of the bracket is about 7" from side of frame. Attach with 1/2" x 2" set screws (**REF. # 4**).

Step 3. Adjust posts to desired height and tighten set screws. On APD models, run PVC foam tape on the top edge of the framework. Place cedar or aluminum panels on top of section to complete your post dock section.



| REF. # | PART # | DESCRIPTION | APD | CPD |
|---------------|---------------|------------------------------|------------|------------|
| 1 | | POST DOCK FRAME | 1 | 1 |
| 2 | 5170 | 1/2" X 3/4" SET SCREW | 2 | 2 |
| 3 | 30052 | POST DOCK CONNECTOR BRACKET | 2 | 2 |
| 4 | 5173 | 1/2" X 2" SET SCREW | 4 | 4 |
| 5 | OPT | 1 1/4" POST AND PAD *** | 2 | 2 |
| 6 | 4108 | PVC TAPE 16' ROLL (APD ONLY) | 2 | - |

4' FRAMES

| | |
|-----|------------------------------------|
| B49 | FRAME 4' X 8' 2 POCKET |
| B32 | FRAME 4' X 8' 4 POCKET |
| B38 | FRAME 4' X 8' 2 POCKET (LONG SIDE) |
| M91 | FRAME 4 X 6' 5" 4 POCKET |

5' FRAMES

| | |
|-----|------------------------------------|
| F49 | FRAME 5 X 8' 2 POCKET |
| F32 | FRAME 5' X 8' 4 POCKET |
| F38 | FRAME 5' X 8' 2 POCKET (LONG SIDE) |
| M93 | FRAME 5' X 6' 5" 4 POCKET |

4' PANELS

| | |
|--------|-------------------------------------|
| B86(B) | ALUM. PANEL 4' X 4' STRAIGHT |
| B48 | CEDAR PANEL 4' X 4' STRAIGHT - ACPD |

5' PANELS

| | |
|--------|-------------------------------------|
| B13(B) | ALUM. PANEL 5' X 4' STRAIGHT – APPD |
| BB1 | CEDAR PANEL STRAIGHT – CPPD |