

**PORTA-DOCK, INC**

**POST DOCK CORNERS**

**L01 RIGHT CORNER FOR APPD, L02 LEFT CORNER FOR APPD**  
**L03 RIGHT CORNER FOR ACPD, L04 LEFT CORNER FOR ACPD**

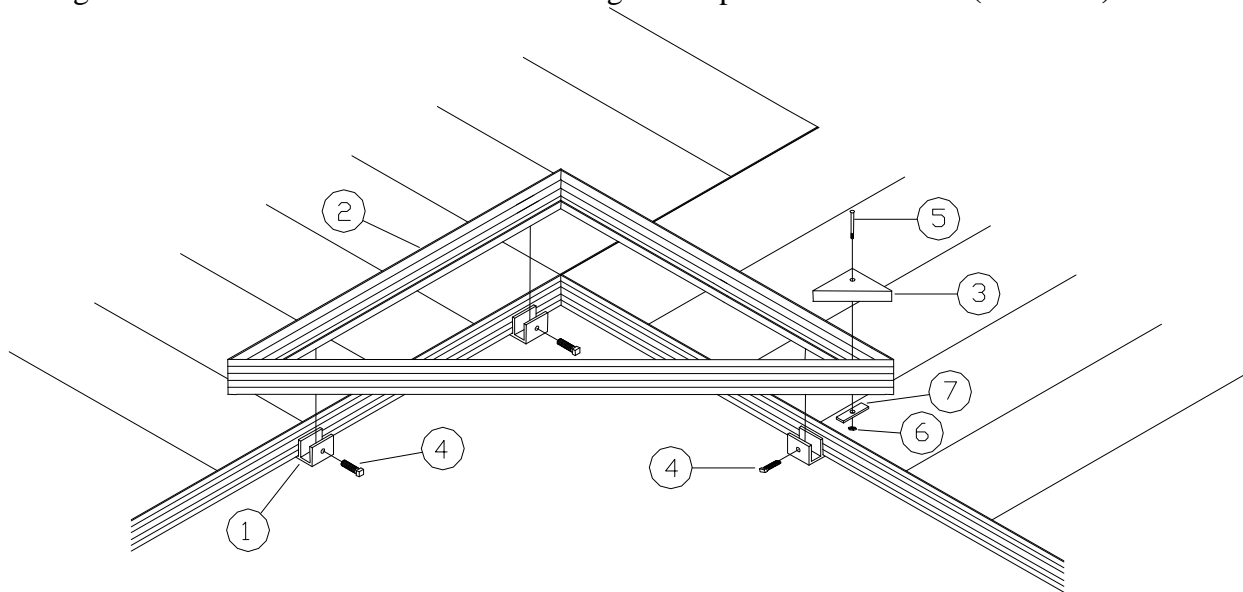
**Thank you for purchasing our product.**  
**Please read these instructions and follow them step by step.**

**NOTE: For APPD corner sections only, run foam tape on outside and inside of frame.**

**STEP 1.** Take the three post dock connector brackets (**REF. # 1**) and attach to the sides of the post dock frames with 1/2" x 2" set screws (**REF. # 4**) as shown in diagram. The two outside brackets should be about 38" from inside corner and the center about 4" from corner.

**STEP 2.** Slide the corner frame (**REF. # 2**) into the connector brackets and secure with 1/2" x 2" set screws.

**STEP 3.** Place panel into frame. On the cedar panel, place the small diagonal board (**REF. # 3**) into the corner of the frame. Fasten into place by placing the aluminum flat (**REF. # 7**) underneath the framework across both bottom tubes. Run a 1/4" x 4" carriage bolt (**REF. # 5**) through the board into the aluminum flat and tighten in place with 1/4" nut (**REF. # 6**).



<b>REF. #</b>	<b>Part #</b>	<b>Description</b>	<b>Qty</b>
1	30052	POST DOCK CONNECTOR BRACKET	3
2	B06	POST DOCK CORNER FRAME	1
3	30500	CORNER BOARD – ACPD ONLY	1
4	5173	1/2" X 2" SET SCREW	6
5	5182	1/4" X 4" CARRAIGE BOLT - ACPD ONLY	1
6	5055	1/4" NUT - ACPD ONLY	1
7	30400	ALUMINUM FLAT-ACPD ONLY	1
8	4108	FOAM TAPE 16' - APD ONLY	1
	B43	4' ALUMINUM CORNER PANEL RIGHT	1
	B84	4' ALUMINUM CORNER PANEL LEFT	1
	B83	4' CEDAR PANEL RIGHT CORNER	1
	B82	4' CEDAR PANEL LEFT CORNER	1