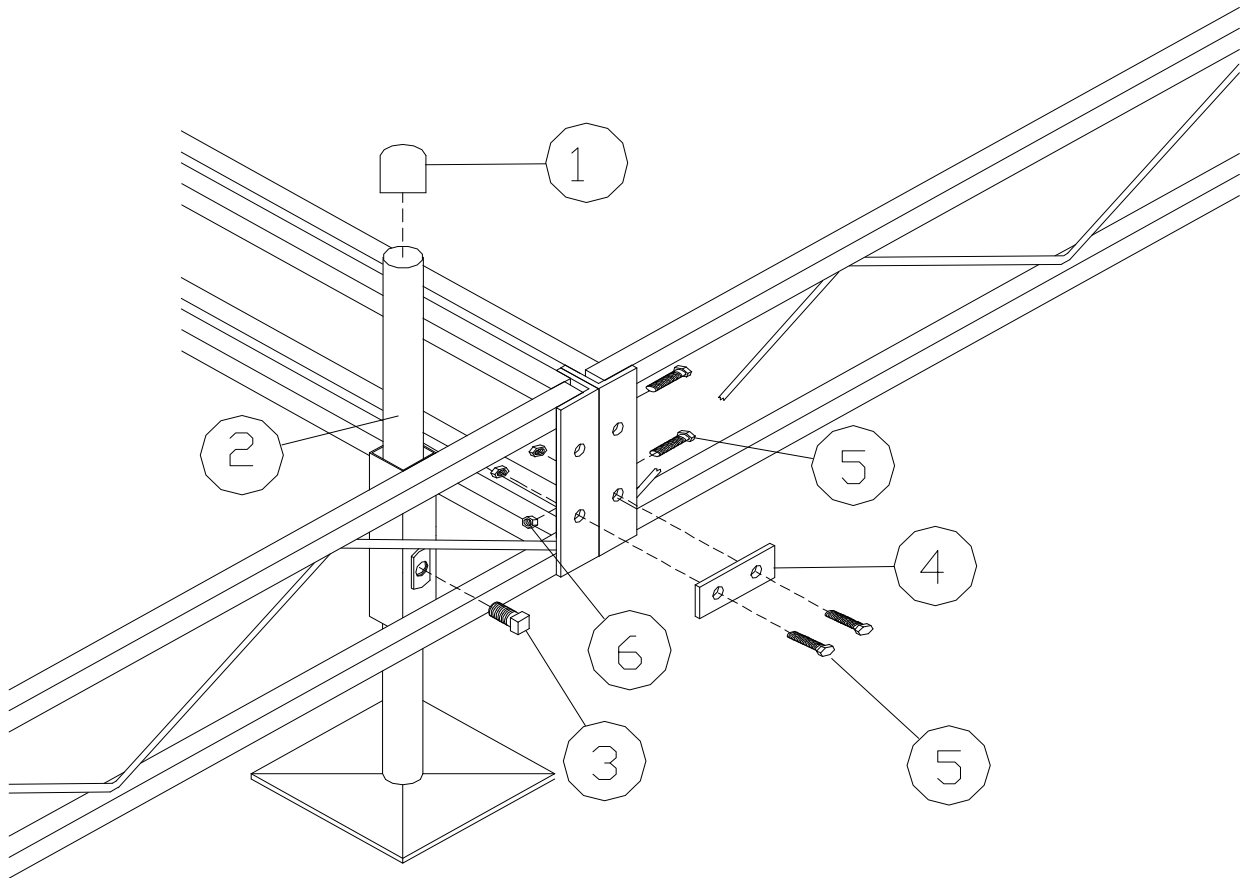


PORTA-DOCK, INC.**S49 4'X16' SC ADD ON W/POSTS & S51/S89 4'X8' SC ADD ON W/POSTS**
G49 4'X16' GC ADD ON W/POSTS & G51/G89 4'X8' GC ADD ON W/ POSTS**Thank you for purchasing our product!*****Please read these instructions and follow them step be step.***

Turn add on section on its side and insert dock post (**REF. # 2**) into dock post pocket and tighten with 1/2"x3/4" set screw (**REF. # 3**) (Finger tighten at this time). Place add on sections together and fasten thru the two end holes of the frame with 1/2"x1" bolts and 1/2" nuts (**REF. # 5 & 6**). Then locate your dock connector bracket (**REF. # 4**) and place on the two bottom holes on the outside of framework and fasten with (**REF. # 4 & 5**). Adjust your dock to desired height then tighten set screws on dock post.

| REF. # | PART # | DESCRIPTION | QTY |
|---------------|---------------|---------------------------|------------|
| 1 | 3808 | 1 1/4" DOCK POST CAP | 2 |
| 2 | C62 | 6' STEEL 1 1/4" DOCK POST | 2 |
| 3 | 5170 | 1/2" X 3/4" SET SCREW | 2 |
| 4 | 10000 | DOCK CONNECTOR PLATE | 2 |
| 5 | 5123 | 1/2" X 1" BOLT | 8 |
| 6 | 5058 | 1/2" NUT | 8 |



Porta-Dock, Inc.