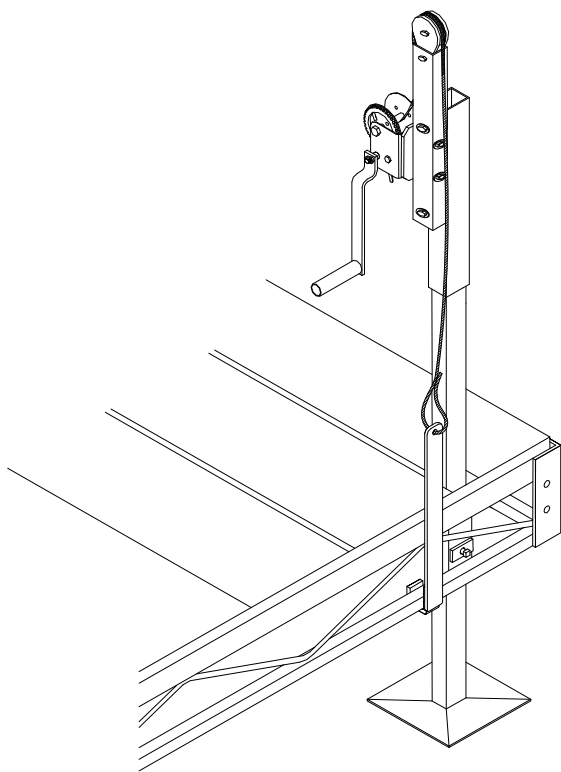


## PORTA-DOCK, INC.

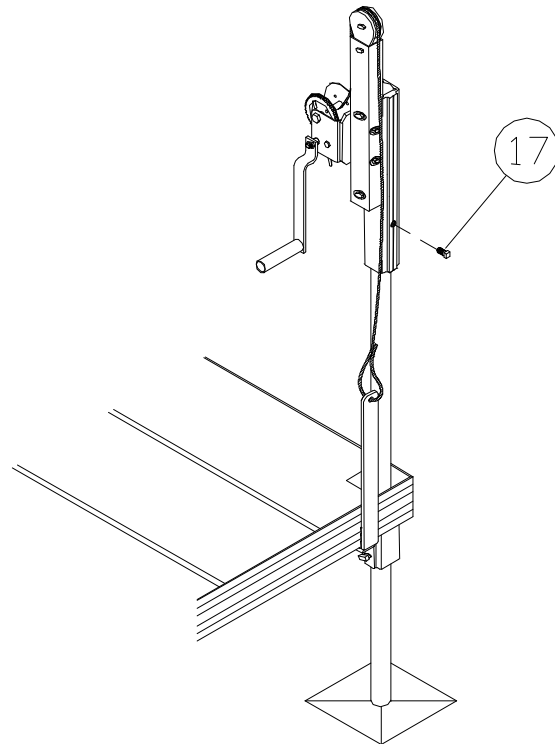
### C107 DOCK LEVELER FOR RECTANGULAR POSTS C108 DOCK LEVELER FOR 1.25" ROUND POSTS

**Thank you for purchasing our product!**  
**\*Please read these instructions and follow them step by step. \***

**STEP 1.** Slide the dock leveler onto the leg tube of the dock. On post dock models, secure the dock leveler in place with a 1/2" x 1" set screw (Ref. # 17). Attach the hook (Ref. # 4) to the dock and remove any slack from the rope. Loosen the set screw in the dock pocket. After adjusting dock, re-tighten set screw.



**APD MODELS**

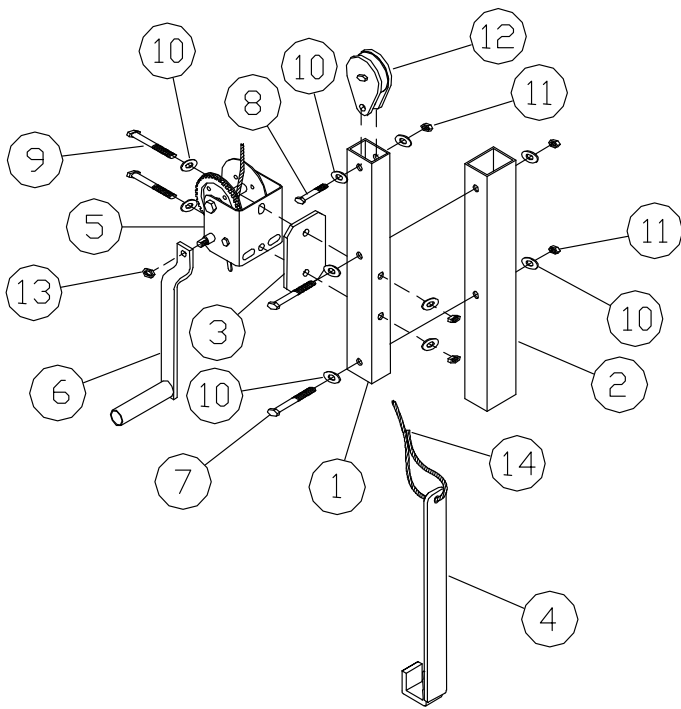


**POST DOCK MODELS**

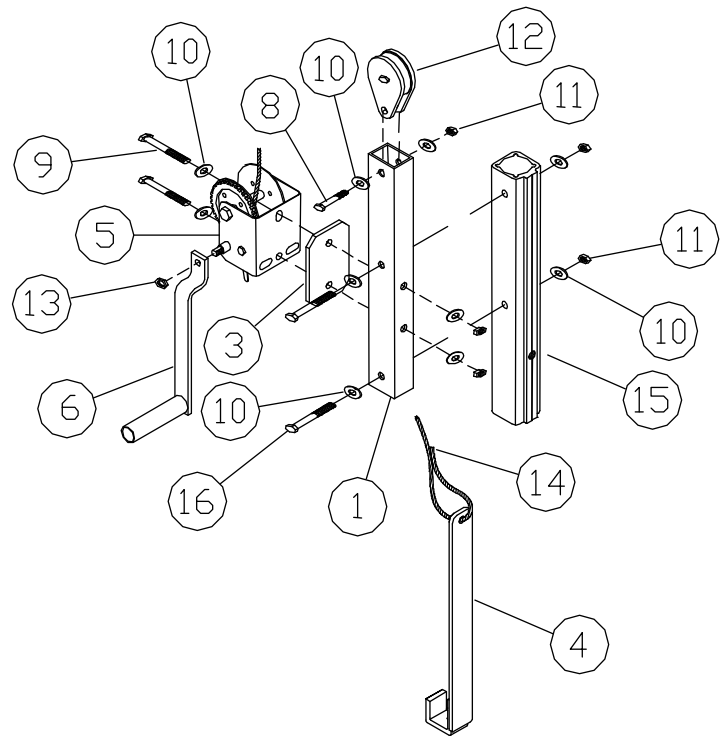
#### **CAUTION:**

**NEVER RELEASE WINCH HANDLE WHEN RATCHET LEVER IS IN UNLOCKED POSITION WITH LOAD ON WINCH.**

**THE ROPE IS U.V. SENSITIVE AND SHOULD NOT BE LEFT IN DIRECT SUNLIGHT FOR EXTENDED PERIODS OF TIME.**



**C107**



**C108**

**DOCK LEVELER PARTS LIST**

| <b>REF#</b> | <b>PART#</b> | <b>DESCRIPTION</b>               | <b>C107 QTY</b> | <b>C108 QTY</b> |
|-------------|--------------|----------------------------------|-----------------|-----------------|
| 1           | 50263        | DOCK LEVELER WINCH TUBE          | 1               | 1               |
| 2           | 50265        | DOCK LEVELER RECT. POST TUBE     | 1               | -               |
| 3           | 50266        | WINCH BACKER PLATE               | 1               | 1               |
| 4           | 66E          | DOCK LEVELER HOOK                | 1               | 1               |
| 5           | 3009         | WINCH DL900 W/ HARDWARE          | 1               | 1               |
| 6           | 3008         | WINCH HANDLE DL                  | 1               | 1               |
| 7           | 5089         | 3/8" X 4" BOLT                   | 2               | -               |
| 8           | 5082         | 3/8" X 2" BOLT                   | 1               | 1               |
| 9           | 5084         | 3/8" X 3" BOLT                   | 2               | 2               |
| 10          | 5070         | WASHER 3/8"                      | 10              | 10              |
| 11          | 5056         | 3/8" NUT                         | 5               | 5               |
| 12          | E91          | DOCK LEVELER PULLEY ASSEMBLY     | 1               | 1               |
| 13          | 5066         | WINCH NUT                        | 1               | 1               |
| 14          | 3181         | 8' BRAIDED NYLON ROPE            | 1               | 1               |
| 15          | 50264        | DOCK LEVELER 1.25" RD. POST TUBE | -               | 1               |
| 16          | 5087         | 3/8" X 4 1/2" BOLT               | -               | 2               |
| 17          | 5174         | 1/2" X 1" SET SCREW              | -               | 1               |