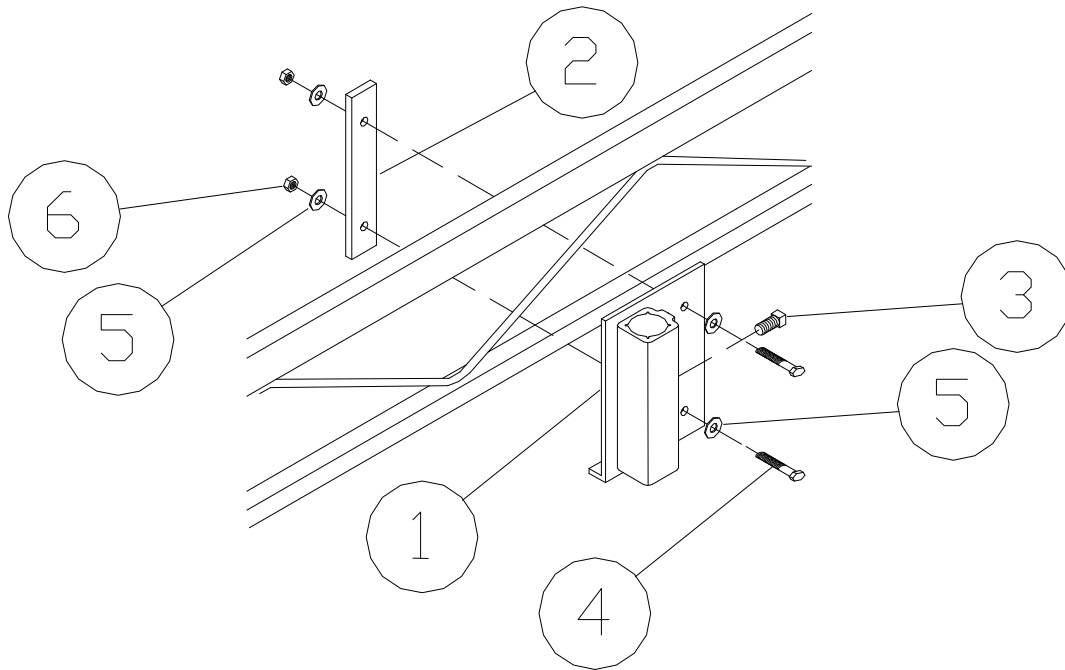


**PORTA-DOCK, INC.****C32 ALUMINUM DOCK POST BRACKET 1 1/4"**

**Thank you for purchasing our product!**

**\*\*Please read these instructions and follow them step by step. \*\***



<b>REF. #</b>	<b>PART #</b>	<b>DESCRIPTION</b>	<b>QTY</b>
1	T17	ALUMINUM DOCK POST BRACKET 1 1/4"	1
2	10055	STEEL BACKER PLATE FOR POST BRACKET	1
3	5174	1/2" X 1 SET SCREW	1
4	5083	3/8" X 2 1/2" BOLT	2
5	5070	3/8" WASHER	4
6	5056	3/8" NUT	2