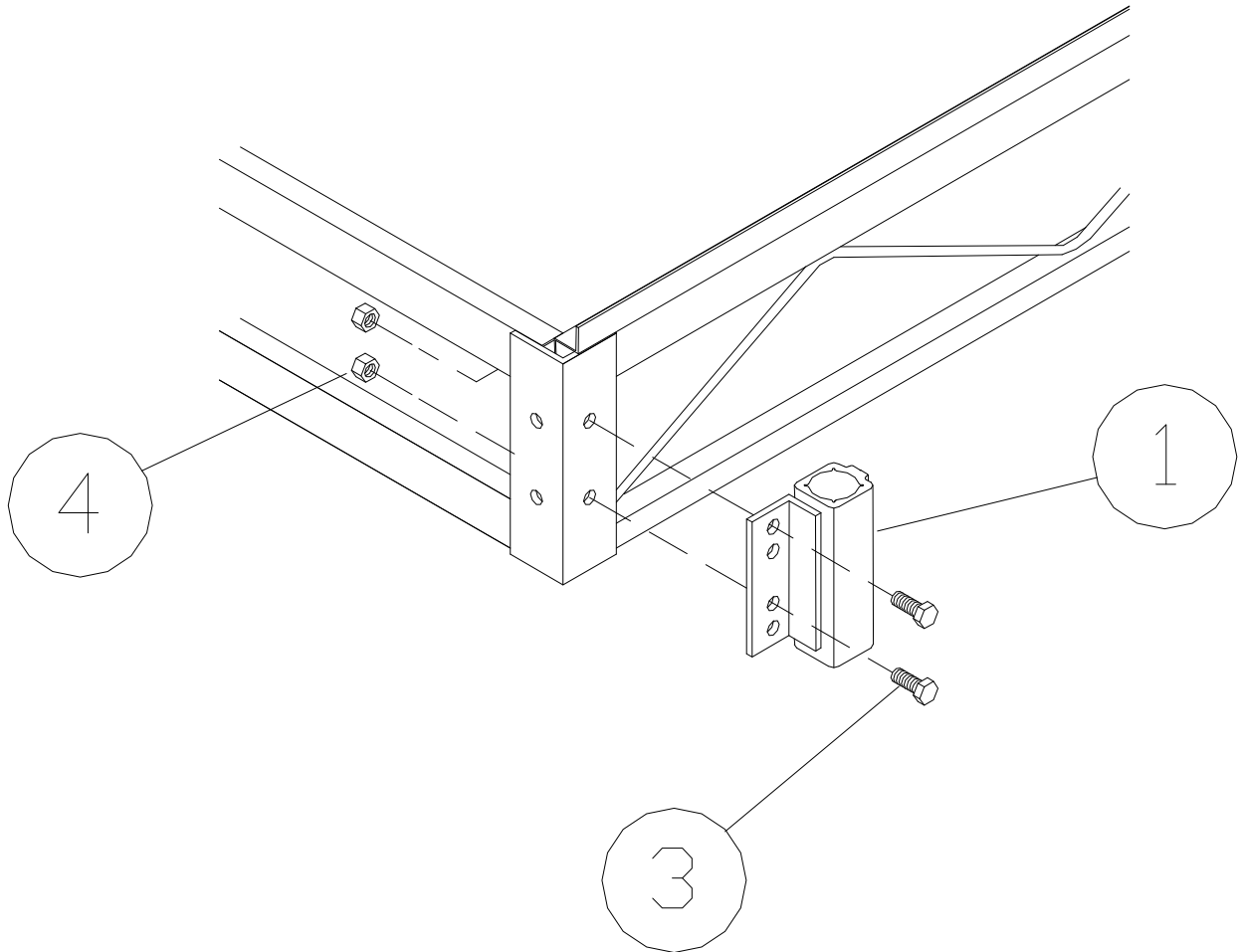


**PORTA-DOCK, INC.****C35 ALUMINUM DOCK POST CORNER BRACKET 1 1/4"**

**Thank you for purchasing our product!**

**\*\*Please read these instructions and follow them step by step. \*\***



<b>REF. #</b>	<b>PART #</b>	<b>DESCRIPTION</b>	<b>QTY</b>
1	C43	ALUMINUM DOCK POST BRACKET 1 1/4"	1
2	5174	1/2" X 1 SET SCREW	1
3	5123	1/2" X 1" BOLT	2
4	5058	1/2" NUT	2